



SS7000

SS7000XLT

SS7000N



Installation Manual



Table of Contents

TABLE OF CONTENTS	1
INTRODUCTION.....	2
WELCOME TO EAGLE EQUIPMENT.....	2
HOW TO USE THIS MANUAL	2
WHAT TO DO IF YOU NEED HELP	2
LIFT SPECIFICATIONS.....	3
SAFETY.....	3
A NOTE ABOUT HYDRAULIC FLUID.....	3
LET’S GET STARTED	4
UNPACKING YOUR LIFT	4
FIRST METHOD OF REMOVAL	5
SECOND METHOD OF REMOVAL	5
UNPACKING THE LIFT.....	5
INVENTORY YOUR LIFT	11
THE MAJOR COMPONENTS OF YOUR NEW LIFT.....	13
LET’S ASSEMBLE YOUR NEW LIFT.....	14
ASSEMBLING YOUR LIFT.....	14
POSITIONING AND ASSEMBLING THE COLUMNS	14
INSTALL THE TRACKS	18
INSTALL COLUMN TOP CAPS.....	20
PREPARING FOR CABLE INSTALLATION	21
<i>EXTEND THE RAM USING COMPRESSED AIR (PREFERRED METHOD)</i>	22
<i>EXTEND THE RAM USING A WINCH OR COME-ALONG</i>	24
MEASURING THE CABLES.....	25
INSTALL THE SAFETY LOCK RODS	32
INSTALL THE HYDRAULICS.....	37
ADJUSTING THE CABLES	40
OPERATING AND MAINTAINING YOUR NEW LIFT.....	41
OPERATION AND MAINTENANCE.....	41
INSTALL DRIVE-ON RAMPS.....	43
INSTALL PLASTIC SHEETS	44
INSTALLING LIFT OPTIONS	45
INSTALLING THE CASTER KIT	45
APPENDIX A – PARTS LISTING	47
INDEX.....	55



Introduction

Welcome to Eagle Equipment

Congratulations on your purchase of an Eagle Equipment 7000 series four post lift! In the pages that follow, you will find information on how to unpack, assemble, operate, and maintain your lift. Please take the time to read this manual thoroughly to make sure that you know what will be required of you, your assistants, and the area in which your lift is being installed.

How To Use This Manual

We at Eagle Equipment have provided detailed step by step documentation and illustrations to guide you through the process of installing and operating your new lift. Please take the time now to read through this manual - a greater understanding of the procedures described here will go a long way towards easy installation and safe, reliable operation of your lift.

This manual is arranged to guide you throughout the entire installation process from the time you receive and unpack your lift, through assembly and operation, to the installation of accessories. The procedures are broken down into sections as listed in the Table of Contents. The text of each step in a procedure always follows the photographs or diagrams illustrating that step.

What To Do If You Need Help

We've tried to do our very best to provide complete and detailed information so that your installation experience is free of problems; however, sometimes you just need a little help. If you should run into any problems installing or operating your new lift, or have questions on some of the parts, feel free to contact our service department at (800) 535-0016 Ext 113 or via email at service@eagleequip.com.

© EAGLE EQUIPMENT, INC.

P.O. Box 420

Chartley MA 02712-0420

SS7000 Series Installation Guide

January 2002

Manual produced by:

Tech Research Group, Inc.

2377 Pawtucket Ave

East Providence, RI 02914

Tel: (401) 434-4680

www.techresearchgroup.com



Lift Specifications

Specifications	SS7000N	SS7000	SS7000XLT
Maximum Capacity	7000 lbs (3180 Kg)	7000 lbs (3180 Kg)	7000 lbs (3180 Kg)
Overall Length (without 37" ramps)	14' 2 1/2" (4.37m)	14' 2 1/2" (4.37m)	15' 10" (4.87m)
Overall Width	102" (2.61m)	110 3/4" (2.84m)	110 3/4" (2.84m)
Height of columns- floor to top cap (excluding cable stub)	82" (2.10m)	82" (2.10m)	92" (2.36m)
Maximum Wheelbase	160" (4.10m)	160" (4.10m)	166" (4.25m)
Electrical Service	12V DC, 110 V or 220 V AC as ordered	12V DC, 110 V or 220 V AC as ordered	12V DC, 110 V or 220 V AC as ordered
Track Width	18" (46cm)	18" (46cm)	18" (46cm)
Rate of lift to full height	90 seconds	90 seconds	90 seconds
Maximum clearance between columns	92.5" (2.37m)	99" (2.53m)	99" (2.53m)
Maximum clearance under tracks	68 1/4" (1.75m)	68 1/4" (1.75m)	77 1/2" (1.98m)
Shipping weight	1500 lbs (682Kg)	1500 lbs (682Kg)	1620 lbs (737 Kg)

Safety

Assembling your lift can be an enjoyable afternoon activity for you and your friends. Wear work gloves and safety glasses during the installation process, and avoid alcohol when installing or operating your lift. Ensure that nothing, especially an accident, puts a damper on your activities.

A Note about Hydraulic Fluid

Use ONLY AW-32 or ISO-32 hydraulic oil for your lift. **DO NOT USE DEXRON®.** Use of Dexron® will damage the seals in the lift hydraulic system and shorten the usable life of all hydraulic components.

Let's Get Started

Unpacking your lift

Before you unpack the lift, take the time to make the following preparations:

Be sure you have enough help – you should have at least one assistant to help handle the largest items since the largest component weighs approximately 300 lbs. Three assistants is preferable, but not necessary.

Be sure you have the proper tools. You'll need the following tools to unpack and assemble your lift:

<i>Tool</i>	<i>Quantity Required</i>
<i>3/4" combination wrench</i>	2
<i>tin snips or shears</i>	1
<i>knife or box cutter</i>	1
<i>tape measure 25' or greater</i>	1
<i>needlenose pliers</i>	1
<i>7/16" combination wrench</i>	2
<i>1/2" combination wrench</i>	2
<i>12" adjustable wrench</i>	1

Your Eagle Equipment lift is heavy, and may pose a challenge when it comes time to take it off the delivery truck. There are two ways of removing the packaged lift from the delivery truck



First method of removal

If you have access to a forklift, the lift may be taken from the delivery truck and unpacked close to the installation site. The heavy end of the lift will be at the rear of the truck bed – the lift may be picked up from this end by a forklift and removed from the truck. Remember that the packaged lift is approximately 16 feet long. The lift may then be unpacked as described below.

Second method of removal

If no forklift is available, the lift may be unpacked on the truck and hand carried piece by piece to the installation site. A minimum of two people capable of carrying 75 lbs each are required to unpack the lift. Unpacking the lift on the truck should take no more than one half hour if one or more assistants are available.

Unpack the lift as close as possible to the location you are installing it. Have scrap wood available to support the components as they are being unpacked.

Unpacking the lift



Cut the outer banding and remove the cardboard. Don't throw the cardboard away yet – you'll need it later.



Remove the plastic wrap, then cut the banding from the drive-on ramps.



Remove the two drive-on ramps from the packed lift, and place them out of the way – you won't need them until the lift is ready for use. (the aluminum ramps shown here are optional)



Remove the two plastic drip shields and set aside. Unbolt the shipping brackets from both ends of the offside track using two $\frac{3}{4}$ " wrenches.



Remove the offside track. This is a two person end lift – be sure you have enough help. Place the offside track out of the way, but close to the installation site.



Cut the banding from the columns and then remove the columns – don't stand them up or lean them on anything. Lay them flat and out of the way.



Cut the banding from the cardboard parts boxes and remove the parts boxes. The larger box contains the hydraulic power unit; the smaller box contains hardware.



Remove the burlap bag containing the cables and end stops. Remove the two cross rails. The cross rails may need to be rolled out of the mainside track in order to free them.



Remove two 1/4" diameter linkage rods, then remove the 1/2" diameter safety lock rod.



Place the packing cardboard you put aside under the mainside track – you'll need at least two people to raise each end of the mainside track. Slide the mainside track with shipping bracket attached over the edge of the truck bed and onto the packing cardboard.



Remove the bolts from the front shipping bracket and remove the bracket. **The bracket is heavy – do not let the bracket fall when removing the bolts.** Discard the brackets after removal.



Pull the end of the mainside track out of the truck and onto the ground. The mainside track weighs in excess of 300 lbs. – you need at least two people capable of lifting 75 lbs each to lift the track end. The edges may be sharp – wear heavy work gloves.



Remove the two bolts holding the rear shipping bracket to the mainside track, and remove the bracket. Discard the shipping bracket.



Remove the mainside track from the delivery truck. The mainside track weighs more than 300 pounds – walk it into location end by end if there's just you and an assistant, or carry it if you have four people available.



Remove the power unit from the large cardboard box – cut straps and remove all packing materials from power unit. Remove any remaining packing materials and straps from the mainside track. Open the small cardboard parts box, empty the burlap bag, and arrange the components of your lift so that every part is visible and easy to identify. Make sure you have your packing list.

Inventory your lift at this time. Pay attention to optional components you may have ordered with your lift. Some parts come in different lengths, depending on the model - check the part you have, and then double check that you have the right part for the right model.



Inventory your lift

<i>Item</i>	<i>Quantity</i>		
	SS7000N	SS7000	SS7000XLT
<i>Mainside Track w/ cylinder</i>	1	1	1
<i>Offside Track</i>	1	1	1
<i>Cross Bar 102"</i>	2		
<i>Cross Bar 108 ½"</i>		2	2
<i>Rod, 1/4" x 79"</i>	2		
<i>Rod, 1/4" x 82 ½"</i>		2	2
<i>Rod, 1/2" x 126"</i>	1	1	1
<i>Rod, Bent, 1/2" x 50"</i>	1	1	
<i>Rod, Bent, 1/2" x 70"</i>			1
<i>Ramp Clips</i>	4	4	4
<i>Cable, 8' 4"</i>	1		
<i>Cable, 13'</i>	1		
<i>Cable, 21' 3"</i>	1		
<i>Cable, 25' 11"</i>	1		
<i>Cable, 8' 7"</i>		1	
<i>Cable, 13' 3"</i>		1	
<i>Cable, 21' 5 ½"</i>		1	
<i>Cable, 26' 1 ½"</i>		1	
<i>Cable, 9' 5"</i>			1
<i>Cable, 14' 1"</i>			1
<i>Cable, 23' 11"</i>			1
<i>Cable, 28' 7"</i>			1
<i>Column, R marking</i>	2	2	2
<i>Column, L marking</i>	2	2	2
<i>Top Cap, R marking</i>	2	2	2
<i>Top Cap, L marking</i>	2	2	2
<i>Sheet, Plastic, 18" x 80"</i>	2	2	2
<i>Power Unit</i>	1	1	1
<i>Ramp, Drive-on</i>	2	2	2
<i>Bolt Box</i>	1	1	1

The Bolt Box contains:

<i>Item</i>	SS7000N	SS7000	SS7000XLT
<i>Cable Retainer (thin plate)</i>	1	1	1
<i>Cable Holder (thick plate)</i>	1	1	1
<i>Rod, 1/4" x 6"</i>	2		
<i>Rod, 1/4" x 9"</i>		2	2
<i>Bolt, 1/2" x 4"</i>	8	8	8
<i>Bolt, 1/2" x 7"</i>	4	4	4
<i>Coupler, 1/2"</i>	1	1	1
<i>Hose, Track to Cylinder, 64"</i>	1		
<i>Hose, Track to Cylinder, 82"</i>		1	1
<i>Hose, Power unit to Track, 71"</i>	1	1	1
<i>Hardware Bags (A, B, C, D, E)</i>	1 each	1 each	1 each



Eagle Equipment SS7000 Series Lifts

Bag A contains:

Item	Quantity
Bolt, 1/2" x 1 1/4"	4
Washer, 1/2"	16
Nut, Nylon Insert, 1/2"	8
Washer, Flat, 3/4"	4
Nut, Cable, 3/4"	4
Clip, Plastic	2
Tie Wrap	2

Bag B contains:

Item	Quantity
Heim End	8
Nut, Nylon Insert, 1/4"	8
Nut, Lock, 1/4"	8
Bolt, 1/4" x 1 3/4"	4
Bolt, 1/4" x 1 1/4"	4
Spacer	2
Nut, 1/2"	2
Knob, Black	1

Bag C contains:

Item	Quantity
Washer, Flat, 1/2"	16
Nut, 1/2"	8
Eyebolt, 1/4"	2
Washer, Flat, 1/4"	4
Nut, 1/4"	4

Bag D contains:

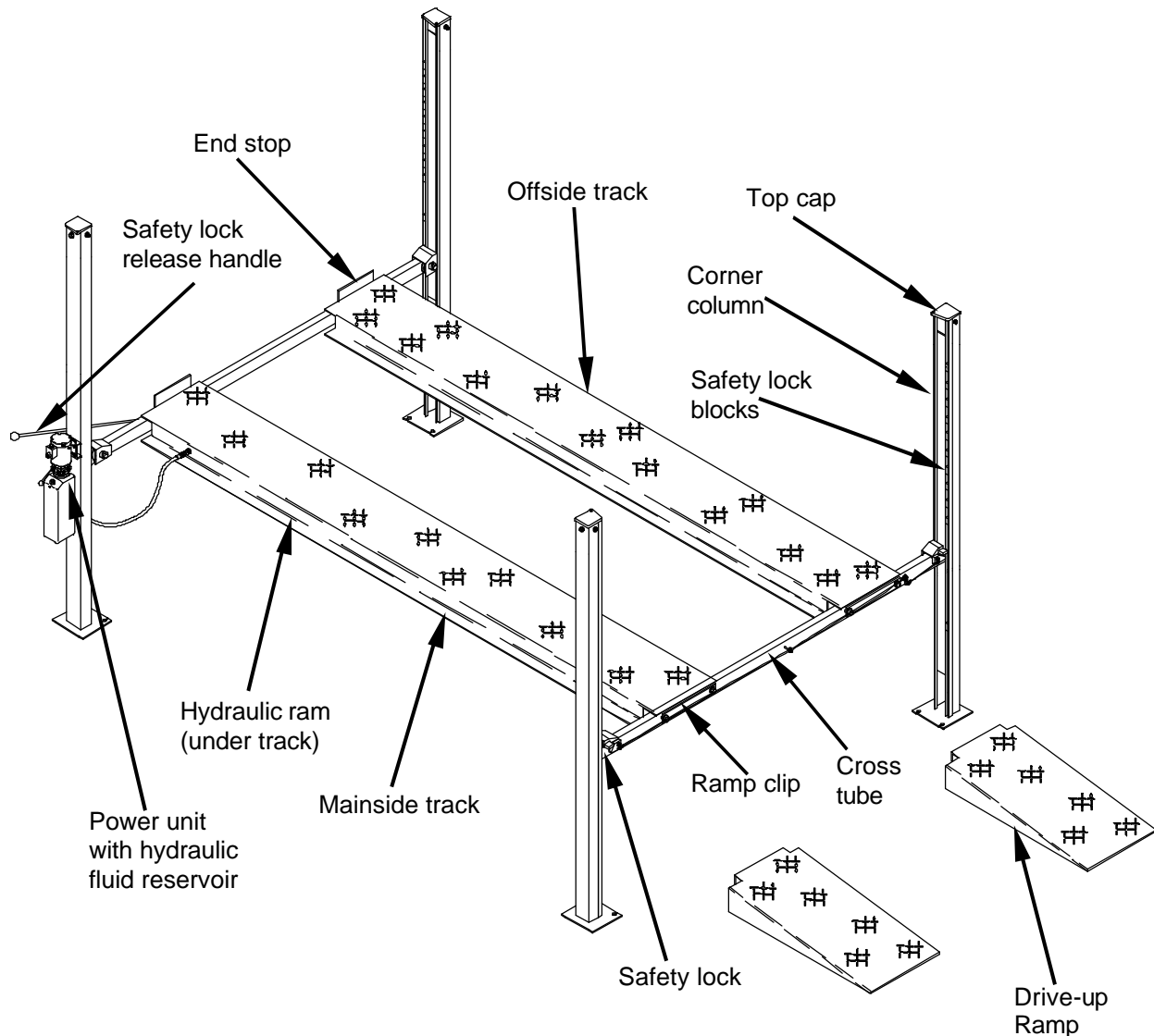
Item	Quantity
90° Fitting w/ Nut	1
90° Fitting w/ O-Ring	1
90° Fitting w/o O-Ring	1
Vent Fitting, 3/8" NPT	1
Nut, Nylon Insert, 1"	1
Washer, 1"	1

Bag E contains:

Item	Quantity
Bolt, 5/16" x 1"	4
Nut, Nylon Insert, 5/16"	4
Nut, 5/16"	4

The Major Components Of Your New Lift

Before you get started assembling your new lift, let's take a moment and become familiar with some of the major components. Becoming familiar with the major components of the lift will make the assembly task quicker and easier.



Major Components of the SS7000 Series Lift

Let's Assemble Your New Lift

Assembling Your Lift

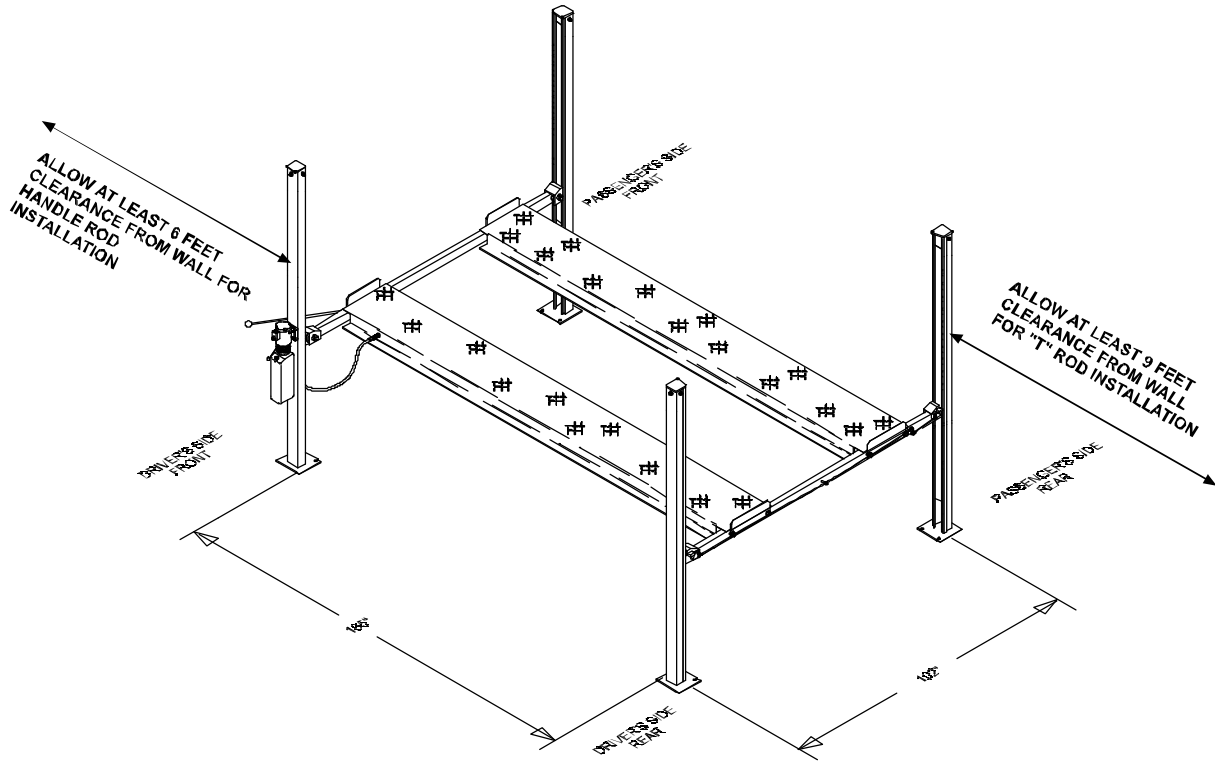
Now that you have your lift unpacked close to the installation site, you may begin assembly. While most assembly procedures may be done by one or two people, remember that you are going to have to lift the heavy components into position – and you'll still need at least two people capable of carrying 75 pounds each to do so.

In the following assembly sequence, an older style of column was used to clearly illustrate the safety steps. Current production lift columns have column stop blocks with a safety cover installed. This safety feature lessens the risk of catching a finger or clothing in the stop blocks.

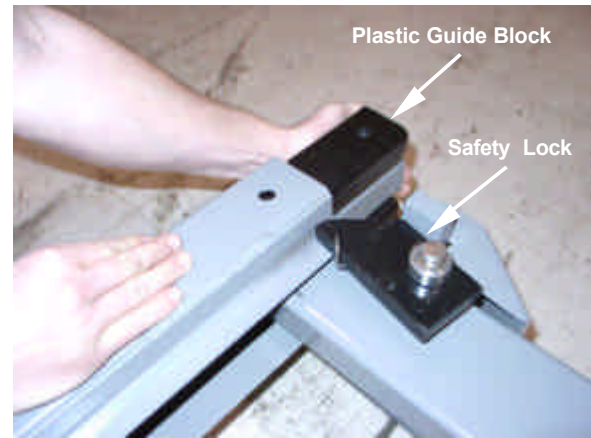
Positioning and Assembling the Columns



Position the columns according to the floor plan on the following page. Lay down rear columns (*L and R designations or labels do not indicate left or right positions during layout. Check your lift floor plan before positioning the columns, and then check it again after you've positioned them – the assembled columns are heavy and difficult to move.*)



Floor Plan For Initial Column Positioning



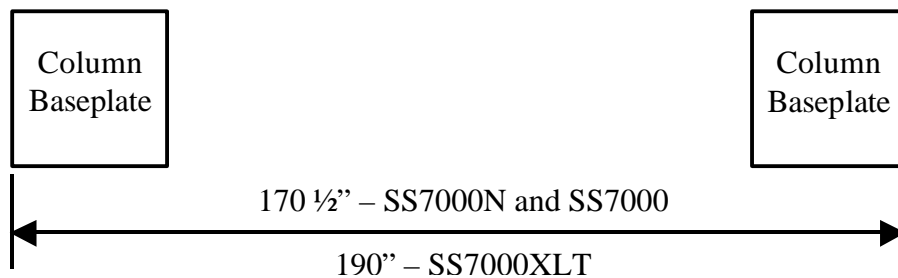
Position the cross rail at the top of the two columns. Install the cross rail in the column tops by inserting the plastic guide blocks in the column channel (Make sure the safety locks are positioned with bevel side up, and with safety locks facing towards the outside of the lift).



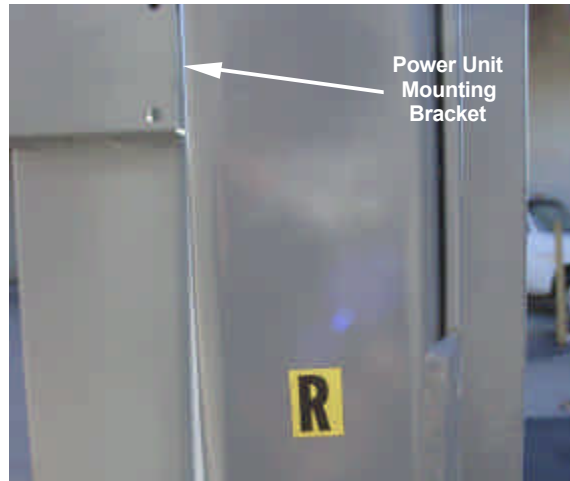
Using two people, lift the safety locks and pull the cross rail down evenly to the lowest stop block. Keep your fingers out of the track – the safety locks aren't heavily loaded, but you can still get your fingers pinched.



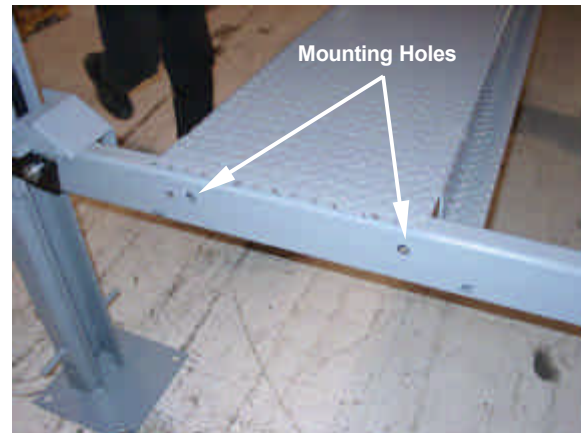
Repeat the procedure for the remaining columns and cross rail. When you have completed assembling the columns and cross rails and are ready to go on to the next step, stand the assembled columns up in the positions indicated on the floor plan. Position the two column assemblies 170 1/2" apart for the SS7000N and the SS7000; 190" apart for the SS7000XLT. Measure the distance from the outside of the column baseplates, so that the measurement includes the column baseplates.



Install the Tracks



At this time you have to decide where you want to place the power unit – your lift controls are on it. The power unit can be mounted to either column marked “R”, with the power unit mounting bracket placed at the driver’s side front or passenger’s side rear. The mainside track will be installed on the same side, with the power cylinder closest to where you will mount the power unit. Position the mainside track and the offside track outside of the columns.

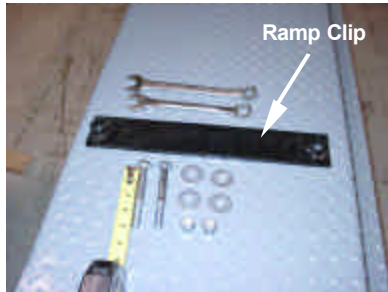


With an assistant, pick up and place one end of the mainside track in location on the crossrail, and then pick up and place the other end on the opposite crossrail (if you have three assistants, place both ends at the same time). Use a large screwdriver or aligning punch to align the mounting holes in the cross rails with the mounting holes in the track.



WARNING!

Do not leave the tracks unbolted – install the mounting bolts immediately!



Install 1/2" x 4" mounting bolts and 1/2" washers in the ramp clips. Make sure the bolt head is on the flat side of the clip. Install the two ramp clips with bolts and washers to secure the mainside track to the cross rail. Secure the bolts with 1/2" washers and nuts placed **hand tight**.

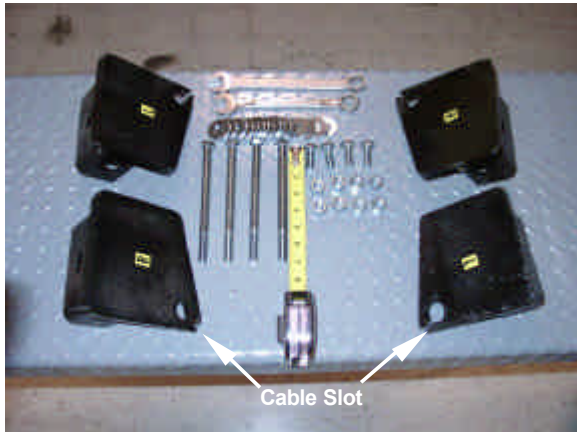


Now, install the offside track and secure with ramp clips and 1/2" x 4" bolts and nuts. After both tracks are installed, tighten all track 1/2" x 4" bolts to a torque of 75 ft-lbs.



Once the offside track has been installed and all mounting bolts tightened, your lift should look like this.

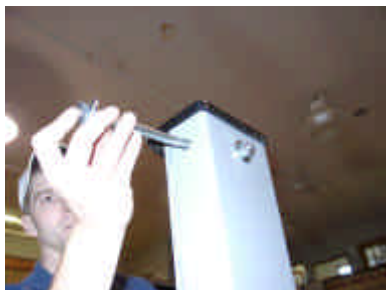
Install Column Top Caps



Locate the column top caps, then locate the necessary hardware -1/2" x 7" bolts (4 each) in the bolt box, 1/2" x 1 1/4" bolts (4 each) in Bag A, 1/2" nuts (8 each) and 1/2" flat washers (16 each) in Bag C. Install the top caps in the columns - "R" caps go on "R" columns, "L" caps go on "L" columns, cable slots face towards the center of the lift.



Secure the top caps with 1/2" x 1 1/4" bolts. Place the bolts with washers in through channel and secure with washers and nuts on the outside of the column.



Install the 1/2" x 7" bolts through the column and top cap. Install from outside of the column, and secure with a nut on the inside of the column. Tighten the 1 1/4" bolt to torque of 75 ft-lbs. Tighten the 7" bolt to a torque of 50 ft-lbs. Do not over tighten the 7" bolt, as this may warp the column channel and bind the guide blocks.

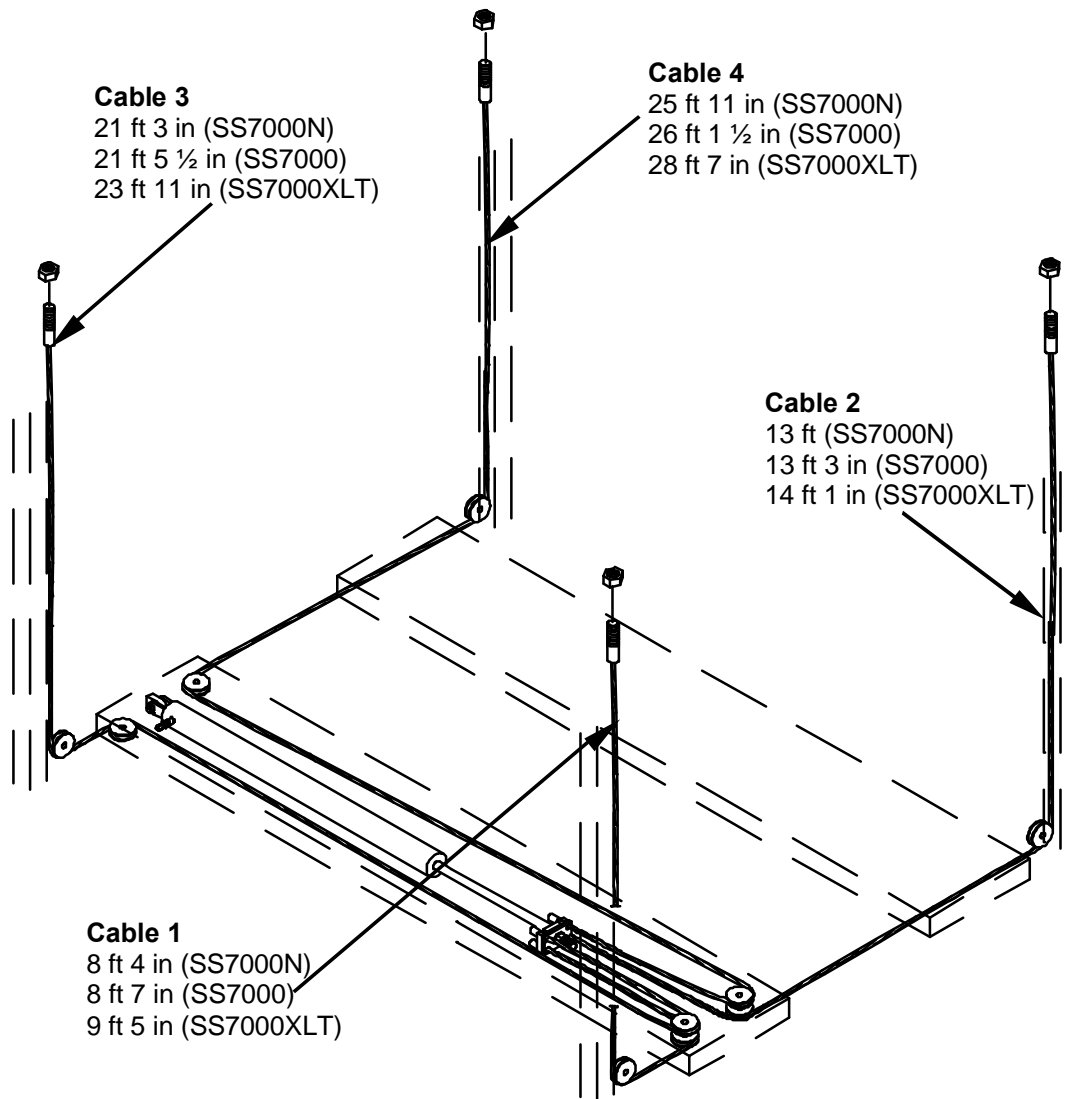
Preparing for Cable Installation



NOTE!

Before installing any cables, be sure to measure and verify the length of each cable as detailed later in this section.

The cables and hydraulic cylinder are the heart of your SS7000 Series lift. The cables are responsible for lifting and lowering the lift using a series of pulleys that route the cables to a hydraulic ram under the mainside track. As the ram extends, the lift lowers. As the ram retracts, the lift rises. The illustration below shows the routing of the four lift cables as well as the length of each.



S7000 Series Cabling Arrangement

Before installing the cables, you must first extend the ram on the power cylinder located on the underside of the mainside track. The end of the ram should be approximately 18” from the cross rail. This can be done by two methods, depending on the equipment you have available:

Extend The Ram Using Compressed Air (Preferred Method)

This is the easiest way to extend the ram, provided you have a regulated compressed air supply available. When using this method, do not apply air suddenly to the ram – use the air supply regulator to gradually increase the air pressure and do not exceed 40 to 45 psi or the ram will extend too quickly.



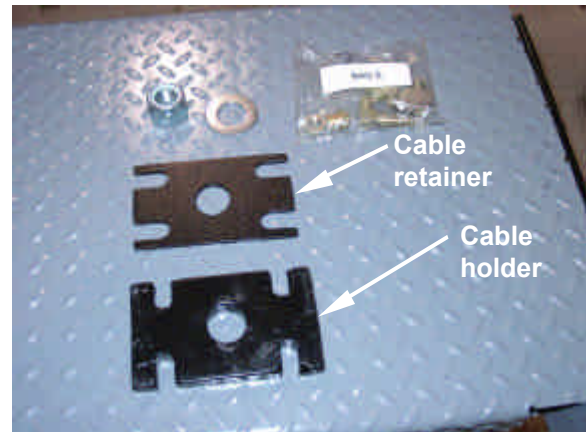
Remove the plastic shipping caps from both ends of the power cylinder.



Install fittings to adapt your supply of compressed air to 3/8” NPT vent fitting on end of power cylinder closest to cross rail. (The fittings are not included with your lift).



Apply compressed air to the vent fitting to extend ram to approximately 18" from the opposite cross rail. (Apply air gradually from 0 psi to the minimum pressure necessary – 45 psi max - to **slowly** extend the ram. Do not apply air at high pressure, as this may damage the ram).



Remove any hardware installed to extend the ram. Locate the cable holder (thick plate), the cable retainer (thin plate). Locate the 1" locking nut and washer from Bag E, and the hydraulic fittings from Bag D.



Install the cable holder on the ram. Install the cable retainer on the ram. Place the 1" washer and nut on the ram. Tighten the nut two to three complete turns on the shaft.

If you have successfully extended the ram using the compressed air method, skip the following section.

Extend The Ram Using A Winch Or Come-Along

If you do not have a regulated compressed air supply, you will have to manually extend the ram to a position approximately 18” from the opposite cross rail. If you are using a winch on a vehicle, make sure the lift is securely braced in order to prevent injury to yourself or any other people nearby, and to prevent damage to your lift, your vehicle, or your building.



Remove the plastic shipping caps from both ends of the power cylinder.



Install the cable holder and the cable retainer on the end of the power cylinder ram. Place the 1” washer and nut onto the ram. Tighten the nut two to three complete turns on the shaft.



Use a come along or winch to extend the ram to approximately 18” from the opposite cross rail.

Measuring the Cables

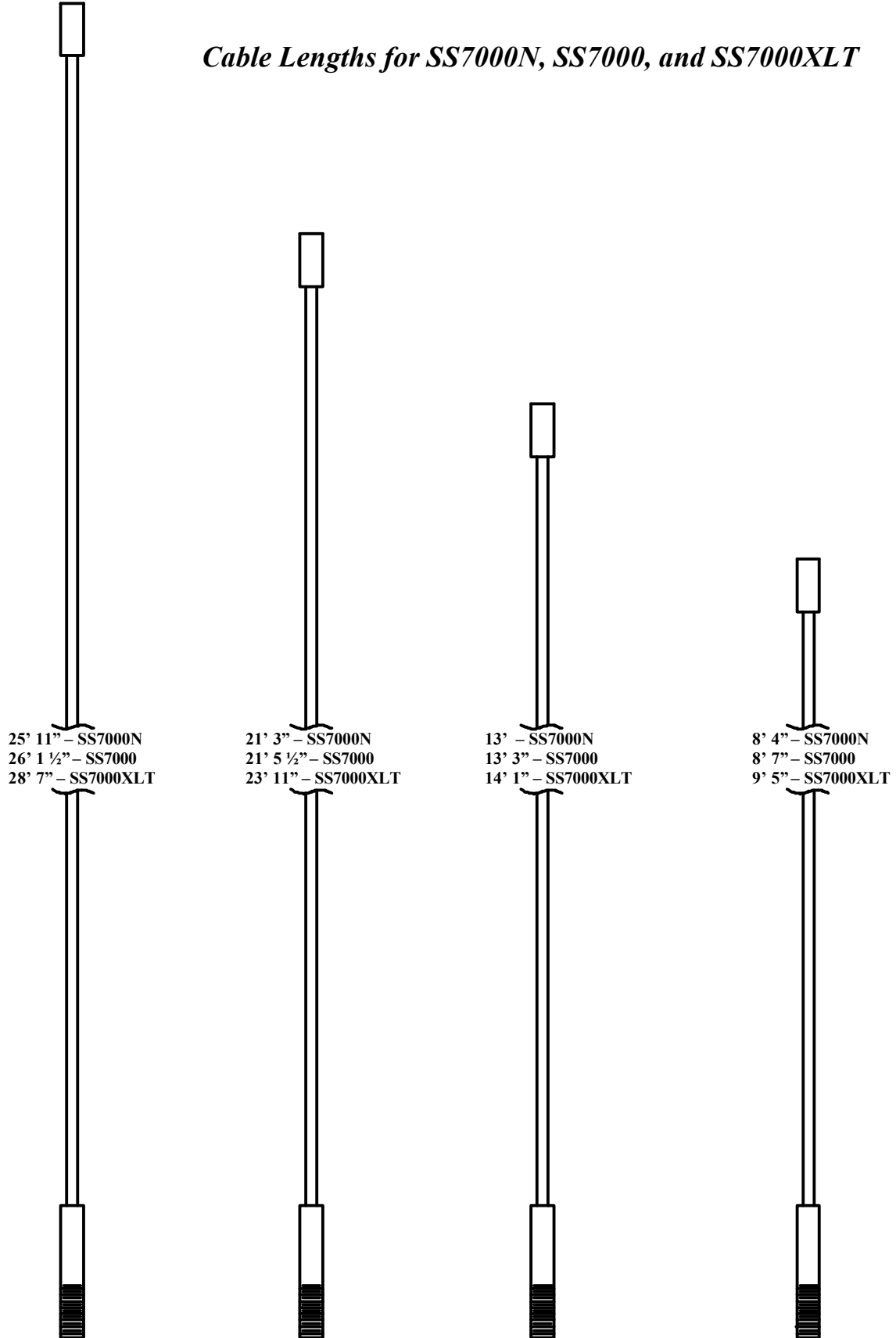


Unbundle the cable package and lay out your cables so they are all parallel to each other on the floor.



Measure your cables, starting at the end of the threaded bolt section to the inside of the button end. Refer to the illustration on the next page and verify that each cable is the proper length. Remember that the different SS7000 models have different cable lengths.

Cable Lengths for SS7000N, SS7000, and SS7000XLT



Installing the Cables



Start with the shortest cable. Thread the cable into the mainside track and around the lowest pulley.



Place the button end in the bottom left cable holder slot and secure with the cable retainer.



Feed the bolt end of the cable around the pulley in the closest column and secure the bolt end of the cable in the column top cap. Place nut on bolt end hand tight.



Get the next shortest cable. Thread the button end through the other side of the mainside track onto the lower pulley. Place button end in bottom right cable holder slot and secure with cable retainer.



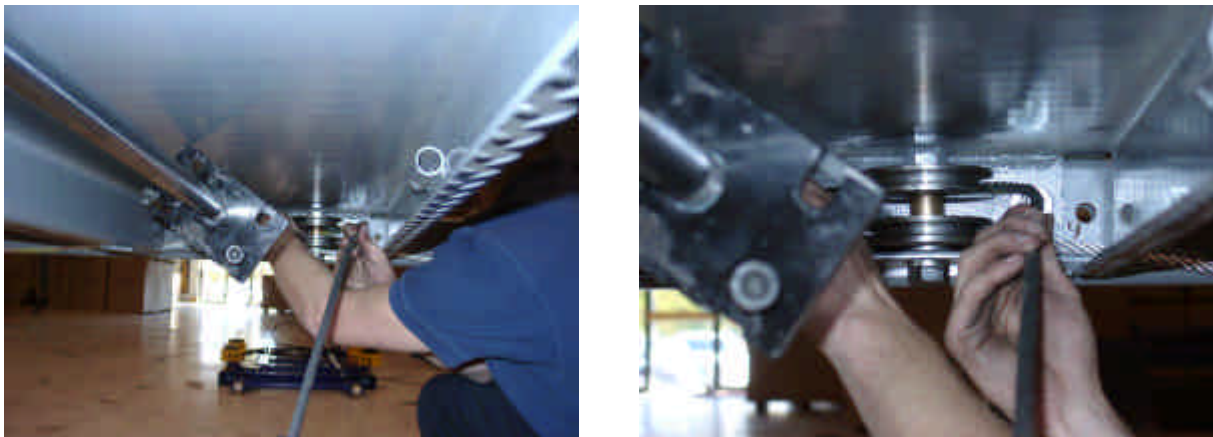
Feed the bolt end of the cable through the opening in the offside track, then feed cable around the pulley on the column. Secure the bolt end to the top cap. Place washer and nut on threaded end hand tight as you did with the previous cable.



Feed the button end of the next shortest cable around the pulley on the opposite end of the mainside track.



Feed the threaded end around the column pulley and secure threaded end to top cap with nut hand tight.



Feed the button end of the cable through the underside of the mainside track and around the upper pulley.



Secure the button end to the cable holder and cable retainer.



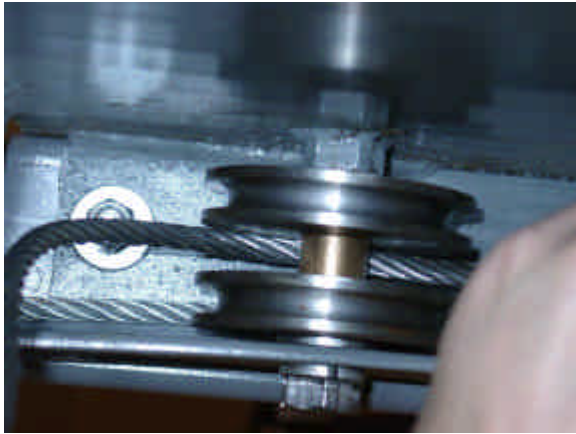
Get the remaining (longest) cable. Feed the button end through the openings in the offside track towards the mainside track.



Feed the bolt end around the column pulley and secure the bolt end to the top cap with nut hand tight .

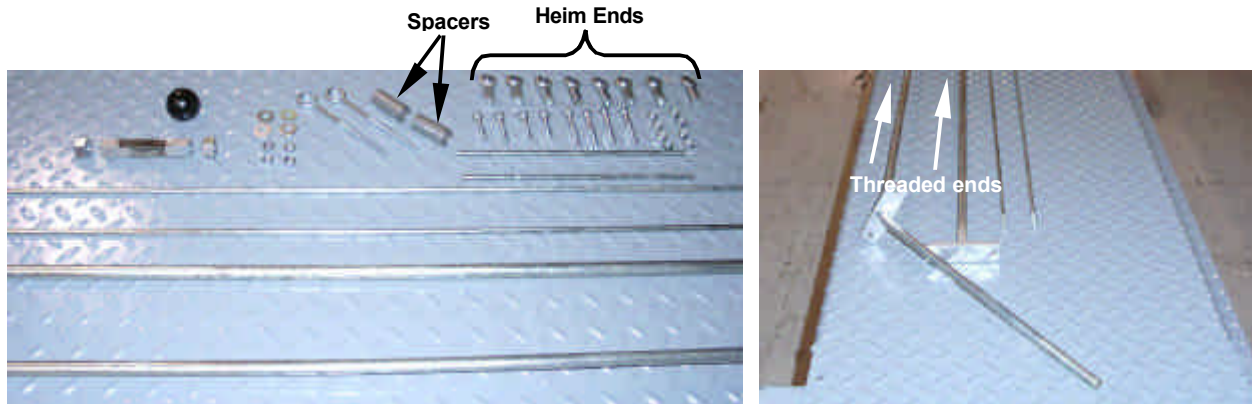


Feed the button end through the underside of the mainside track to the remaining open pulley.

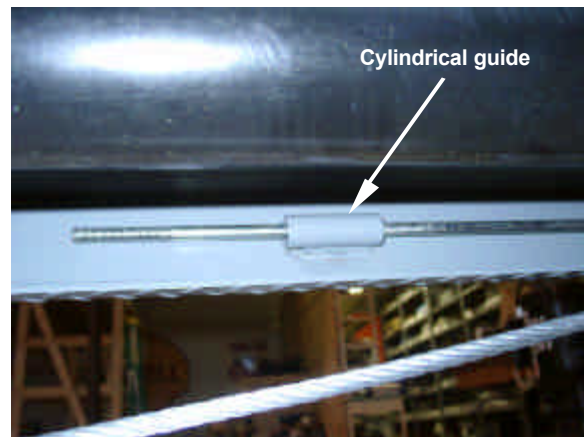


Bring the cable back around to the cable holder and secure it with the cable retainer. Tighten the power cylinder ram nut to show approximately 2 or 3 threads past the nylon insert.

Install the Safety Lock Rods



Locate and identify the components needed to install the safety lock rods. Install the spacers from Bag B on the straight threaded end of the 1/2" x 50" (1/2" x 70" for the SS7000XLT) bent rod and the threaded end of the 1/2" x 126" straight safety lock rod.



Install the 1/2" x 50"(70" XLT) bent safety lock rod into the mainside track adjacent to vent end of the power cylinder. Rod should pass through cylindrical guides on underside of track.



Install the 1/2" x 126" straight safety lock rod into the mainside track from the opposite end. The rod should pass through two guides on the underside of the mainside track.



Install lock nuts on threaded ends of both safety lock rods. Thread nuts down rod to approx 1/2" of end of threads.



Locate two 1/4" x 79"(82 1/2") rods. Install heim ends on one end each of both 1/4" x 79" (82 1/2") rods. Locate two 1/4" x 6"(9") rods. Install heim ends on both ends of 1/4" x 6"(9") rods



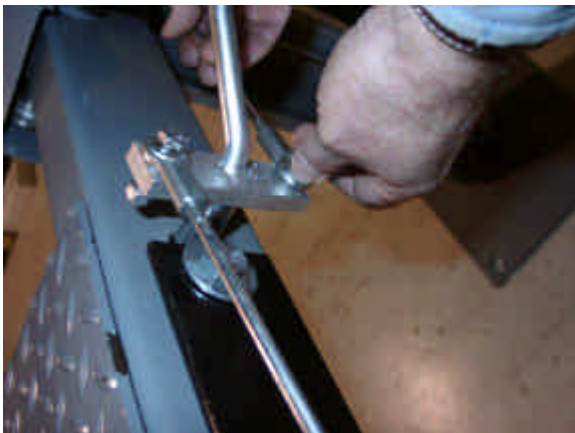
Thread a 1/4" nut to the end of the threads on each of the two eyebolts . Follow with a 1/4" washer. Install eyebolts in center of cross rail, with eye on outside of lift and secure with a 1/4" washer and nut.



Install one 1/4" x 79" (82 1/2") rod through the eye bolt to the column safety lock. Install the heim end on the threaded end of the rod, and attach the heim end to the column safety lock with a 1/4" x 1 1/4" bolt.



Attach the other heim end to the upper hole in the bent rod flange with a 1/4" x 1 3/4" bolt. Make final adjustments to the rod length at this time using the heim ends.



Use a 1/4" x 1 3/4" bolt to secure the heim end of one 6" (9") rod to the lower hole in the bent rod flange. Secure the other heim end to column safety lock with 1/4" x 1 1/4" bolt. Make final adjustments to rod length at this time using the heim ends.



Install knob on the bent rod. Reach underneath the mainside track and install a 1/2" nut on other end of the bent rod, and thread it approximately 2" onto the rod. Then, thread the 1/2" coupler approximately 3/4" onto the bent rod.



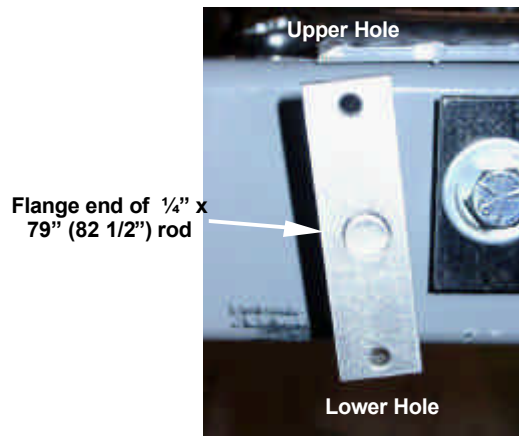
Thread a 1/2" nut onto the 1/2" x 126" rod. Then, thread the 1/2" x 126" rod into the 1/2" coupler. This can be started by hand from underneath, and adjusted and tightened from the flange end using a 1" open end wrench.



Align the flange on the 1/2" x 126" rod to approximately an 11:30 orientation. Have an assistant tighten the lock nuts onto the coupler.



Install 1/4" x 79" (82 1/2") rod through eye bolt. Secure heim end to column safety lock with 1/4" x 1 1/4" bolt.



Install a heim end on the remaining end of the rod, and secure it to the upper hole in the flange with a 1/4" x 1 3/4" bolt. Make a final adjustment of rod length at this time, ensure that the rod does not have more than 1/2" of bend. Secure the heim end of the 1/4" x 6" (9") rod to the lower hole in the flange.



Secure remaining heim end of 6" (9") rod to safety lock. Make final adjustments to rod length. Inspect the 1/4" rods for excessive bowing. If so, adjust strain at the 1/2" coupling.

Install the Hydraulics



Insert four 5/16" x 1" bolts into power unit mount on column. Position so that threaded end of bolt is facing out. Secure the bolts with 5/16" nuts. Install the power unit on column over the exposed ends of the bolts and secure with four 5/16" locknuts.



Remove the plastic shipping plug from the base of power unit pump. Install the 90° fitting w/O-Ring as shown in the base of power unit pump next to the lever operated release valve.



Attach the shorter (71") hose to the fitting on the power unit. Install the 90° fitting w/nut in the mainside track and tighten.



Attach the other end of the 71" hose to outside fitting in mainside track. Attach one end of the longer hose to the opposite side of the 90° fitting on the side of the mainside track.



Wrap pipe threads of the 90° fitting w/o O-Ring with three layers of Teflon tape (not included). Install the fitting in the ram end of power cylinder.



Attach the free end of the 82" hose (64" on SS-N) to the 90° fitting w/o O-Ring that you have just installed on the power cylinder. Install the 3/8" NPT vent fitting in the vent of the power cylinder. Now go back and check ALL the hydraulic fittings and make sure they're tight.



Feed the plastic tie wraps into the slots on the adhesive platforms, and then affix the platforms to underside of the mainside track. Secure the hose to platforms with the tie wraps - make sure you leave the tie wraps loose to allow the hose to move freely.



Fill the power unit fluid reservoir with 3 gallons of AW-32 or ISO-32 hydraulic oil. Install the wheel stops at the end of the lift where the front of the vehicle will be placed.



NOTE!

The most common cause of hydraulic system malfunction or failure is contamination of the hydraulic fluid (water, chips, dirt, etc.). Eagle has extensively cleaned this product during all phases of manufacture, assembly, and testing. The balance of the hydraulic system (hose and pipe, cylinders, valves, etc.) must be thoroughly clean to prevent contamination problems.

Before lifting a vehicle, be sure to adjust the cables and to check all pulley bolts and pulley collars for tightness!

Adjusting the Cables



Upswitch

Release Valve



Plug the power unit into the appropriate electrical receptacle. Operate the power unit by holding the upswitch (The power unit may take a minute or two to prime and evacuate all air). Take the slack off of the cables. Check all pulley bolts and pulley collars to make sure they are tight. Inspect the cables to ensure all are on track and on the pulleys. ***Do not put your fingers between the cable and the pulley!***



Operate the lift to its highest position. Inspect the safety locks. All safety locks should be at least 1" clear of highest safety stops. Safety locks require at least 1" clearance to disengage.

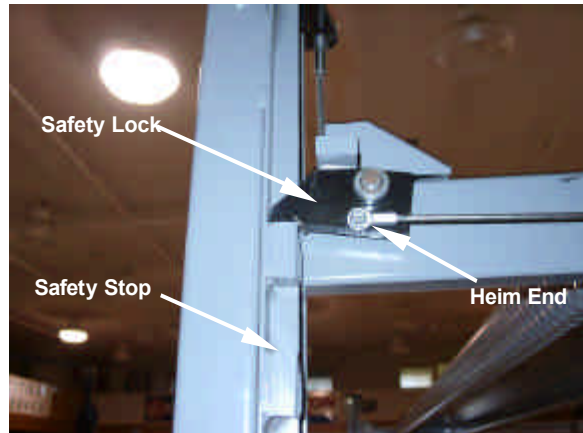


Tighten or loosen cables as necessary at each column top cap to ensure that tracks are even and that all safety locks clear the safety stops simultaneously.

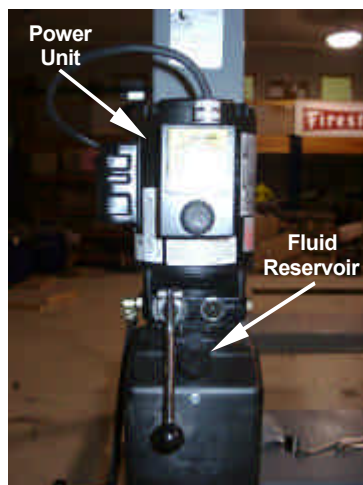
Operating and Maintaining Your New Lift

Operation and Maintenance

Your Eagle Equipment lift is easy to operate, and needs little maintenance. A quick visual inspection of the lift before operation will ensure that your Eagle Equipment lift provides you with years of reliable and safe service.



Operate the safety locks manually before using your lift – make sure all the locks are engaging and disengaging at the same time. If not, adjust the locks by threading the heim ends in or out. **DO NOT OPERATE A LIFT WITH IMPROPERLY ADJUSTED SAFETY LOCKS.** Make sure the safety stops on the columns are clean, clear, and undamaged.



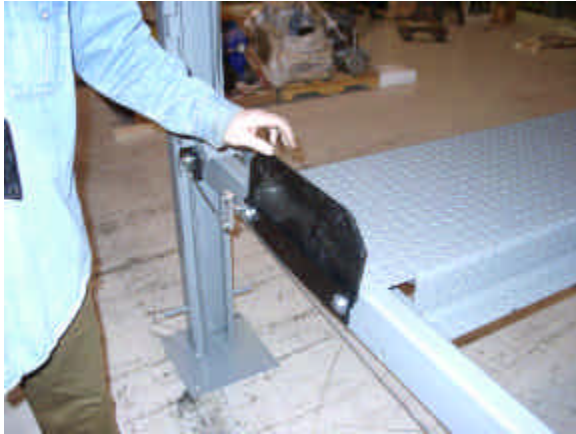
Always check the hydraulic fluid level before operating, and keep the fluid reservoir topped off with clean AW-32 or ISO-32 hydraulic oil. **DO NOT USE DEXRON® IN THIS LIFT!** Operate your lift by pressing and holding the upswitch on the power unit to raise the lift. Lower the lift by pressing the release valve while releasing the safety locks. When you operate your lift, note any jerking, uneven motions. Your lift should move up and down slowly and steadily,

without any abrupt movements. If your lift operates unevenly, lower the lift and inspect for improper adjustment of the cables, or binding cross rails.

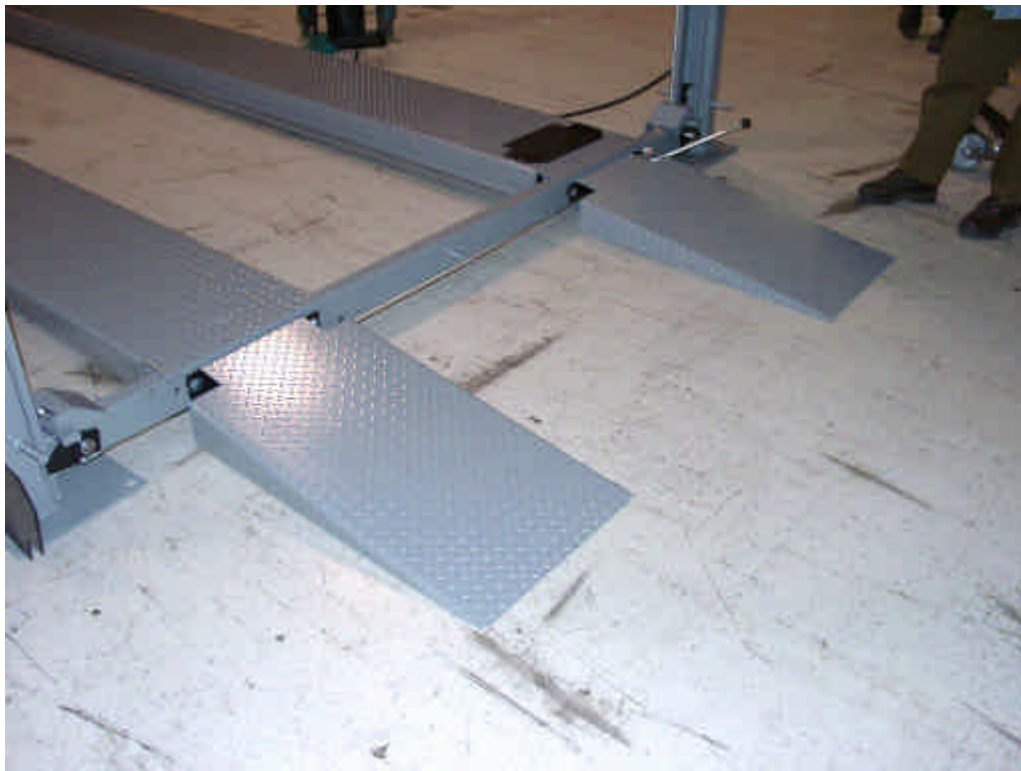


Monthly, or after every 50 hours of operation, apply a light coating of “3 in 1” oil, motor oil, or chain lube to the pulley bushings – there are ten in all. ***You do not have to disassemble the lift in any way to perform this maintenance.*** The bushings can be lubricated in place.

Install Drive-On Ramps



Remove the wheel stops. Insert the drive-on ramps in the ramp clips.



Remember to remove the drive-on ramps and reinstall the wheel stops before raising the lift. The ramps can injure you or cause damage on the way up or down, and are difficult to remove when the lift is raised.

Install Plastic Sheets

Eagle Equipment provides two 18" x 80" plastic sheets with each lift to provide the maximum protection for lift components. However, the sheets are not necessary equipment, and do not have to be fitted. Eagle Equipment recommends leaving the plastic sheets off the underside of the tracks for the first few weeks of operation. This allows you to familiarize yourself with the cable operation of your lift, as well as making inspection and adjustment of lift components easier.



Slide the plastic sheets into the tabs on the underside of the mainside track. Remove the sheets for inspection or maintenance by sliding each out of the tabs.

Installing Lift Options

Installing The Caster Kit



Install the casters to the caster frames using four 3/8" x 1 1/2" bolts and lock nuts for each caster.



Raise the lift to the lowest safety stop. Secure the casters to the cross rail using the caster pins. Secure the caster pins to frame using the large hitch clips.



After all four casters are installed, lower the lift. As the lift lowers, the casters will touch the floor and the arm of the caster assembly will engage beneath the protruding column pin. The casters will then lift the columns off the ground.



Your lift can now be moved freely. Casters may be installed with or without a vehicle on the lift.



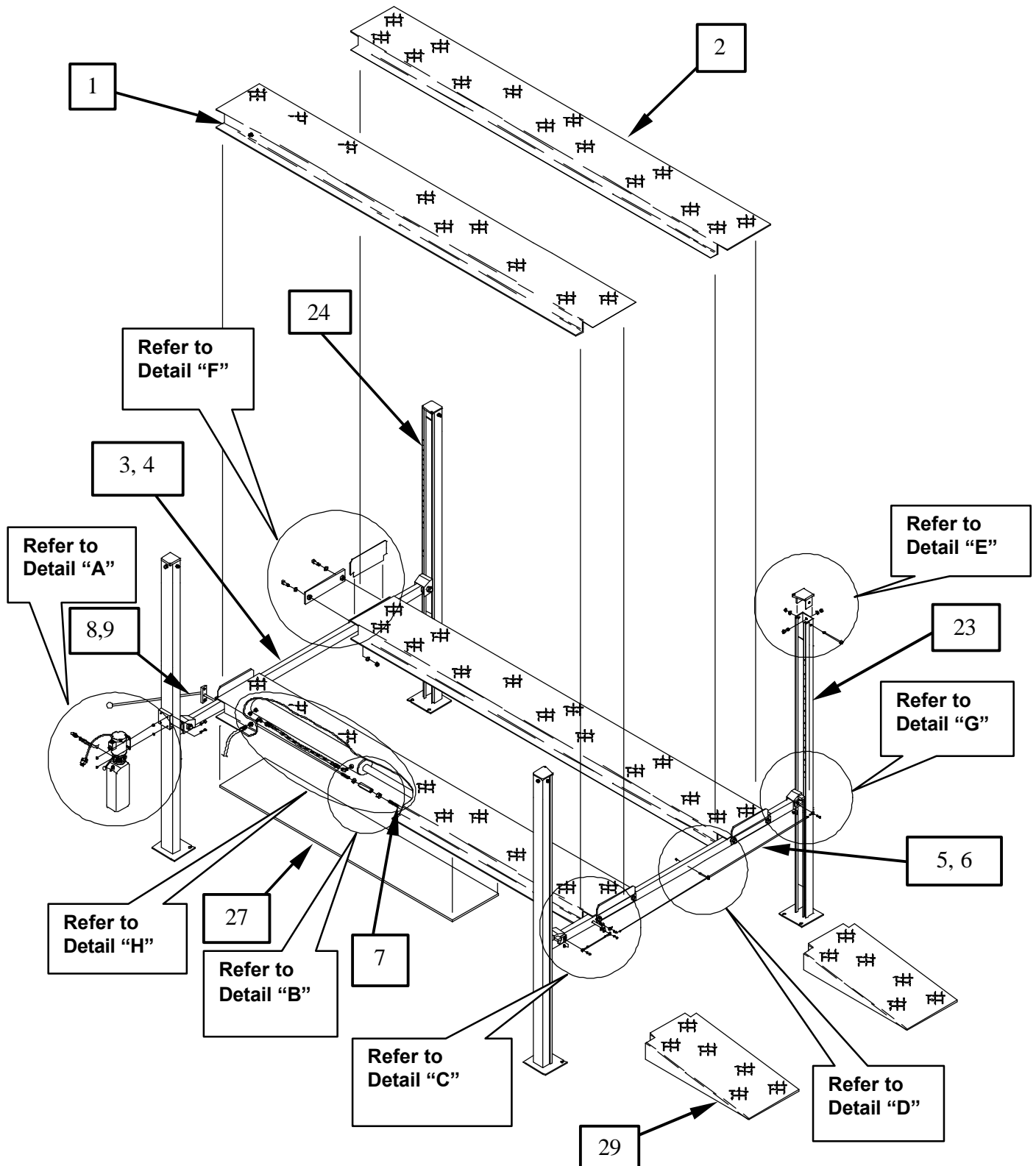
Appendix A – Parts Listing

Item #	Part Number	Part Description	Quantity		
			SS7000N	SS7000	SS7000XLT
1		Mainside Track w/ cylinder	1	1	1
2		Offside Track	1	1	1
3		Cross Bar 102"	2		
4		Cross Bar 108 1/2"		2	2
5		Rod, 1/4" x 79"	2		
6		Rod, 1/4" x 82 1/2"		2	2
7		Rod, 1/2" x 126"	1	1	1
8		Rod, Bent, 1/2" x 50"	1	1	
9		Rod, Bent, 1/2" x 70"			1
10		Ramp Clips	4	4	4
11		Cable, 8' 4"	1		
12		Cable, 13'	1		
13		Cable, 21' 3"	1		
14		Cable, 25' 11"	1		
15		Cable, 8' 7"		1	
16		Cable, 13' 3"		1	
17		Cable, 21' 5 1/2"		1	
18		Cable, 26' 1 1/2"		1	
19		Cable, 9' 5"			1
20		Cable, 14' 1"			1
21		Cable, 23' 11"			1
22		Cable, 28' 7"			1
23		Column, R marking	2	2	2
24		Column, L marking	2	2	2
25		Top Cap, R marking	2	2	2
26		Top Cap, L marking	2	2	2
27		Sheet, Plastic, 18" x 80"	2	2	2
28		Power Unit	1	1	1
29		Ramp, Drive-on	2	2	2

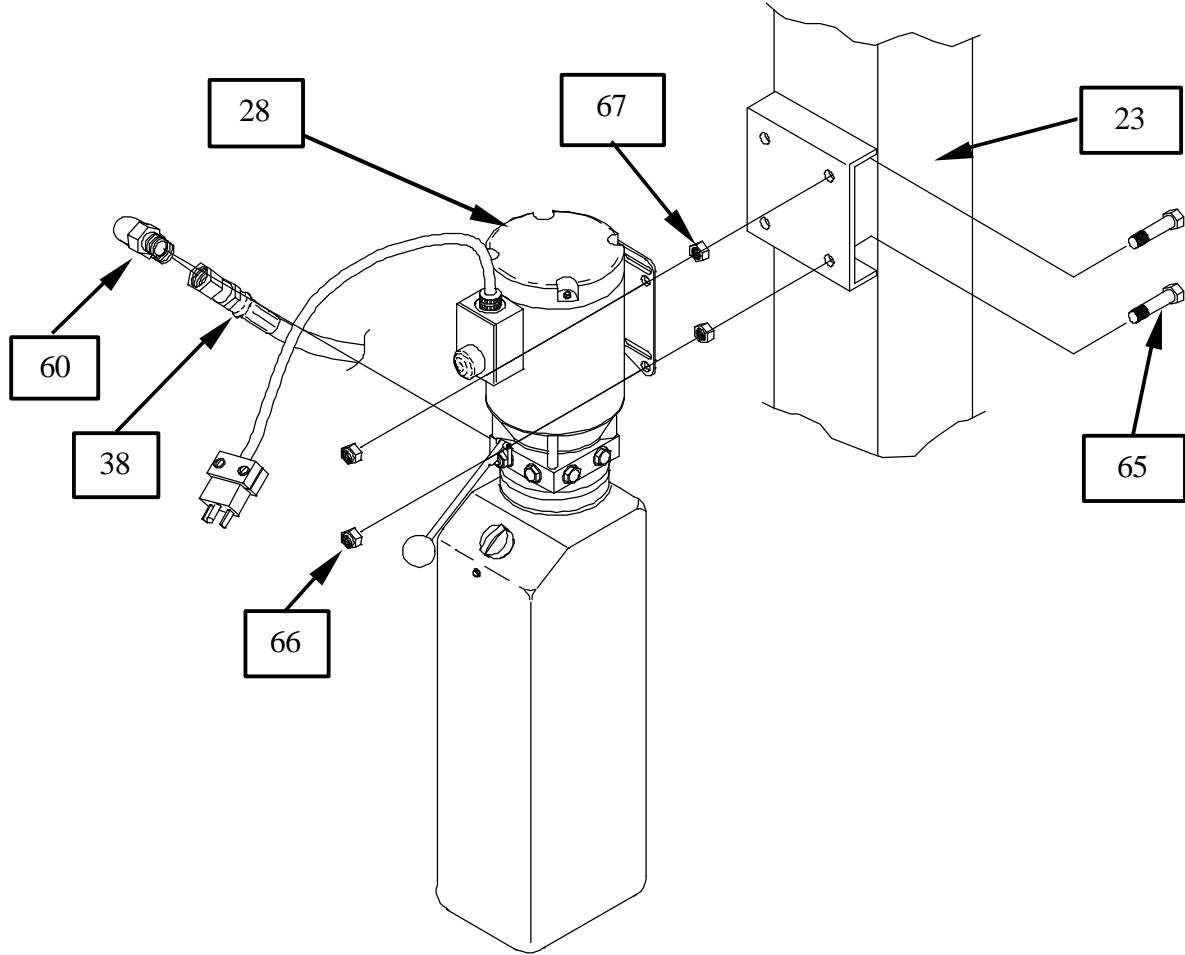


Eagle Equipment SS7000 Series Lifts

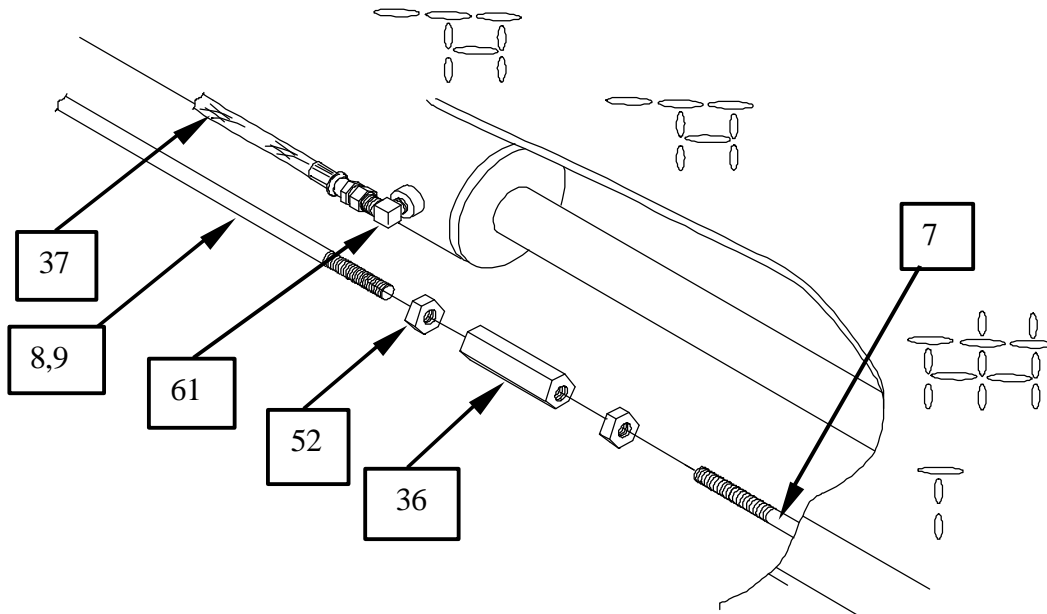
Item #	Part number	Part Description	Quantity
30		Cable Retainer (thin plate)	1
31		Cable Holder (thick plate)	1
32		Rod, 1/4" x 6" (SS7000N only)	2
33		Rod, 1/4" x 9 (SS7000 and SS7000XLT only)	2
34		Bolt, 1/2" x 4"	8
35		Bolt, 1/2" x 7"	4
36		Coupler, 1/2"	1
37		Hose, Track to Cylinder, 82" (64" on SS-N)	1
38		Hose, Power unit to Track, 71"	1
39		Bolt, 1/2" x 1 1/4"	4
40		Washer, 1/2"	16
41		Nut, Nylon Insert, 1/2"	8
42		Washer, Flat, 3/4"	4
43		Nut, Cable, 3/4"	4
44		Clip, Plastic	2
45		Tie Wrap	2
46		Heim End	8
47		Nut, Nylon Insert, 1/4"	8
48		Nut, Lock, 1/4"	8
49		Bolt, 1/4" x 1 3/4"	4
50		Bolt, 1/4" x 1 1/4"	4
51		Spacer	2
52		Nut, 1/2"	2
53		Knob, Black	1
54		Washer, Flat, 1/2"	16
55		Nut, 1/2"	8
56		Eyebolt, 1/4"	2
57		Washer, Flat, 1/4"	4
58		Nut, 1/4"	4
59		90° Fitting w/ Nut	1
60		90° Fitting w/ O-Ring	1
61		90° Fitting w/o O-Ring	1
62		Vent Fitting, 3/8" NPT	1
63		Nut, Nylon Insert, 1"	1
64		Washer, 1"	1
65		Bolt, 5/16" x 1"	4
66		Nut, Nylon Insert, 5/16"	4
67		Nut, 5/16"	4
68		Wheel Stop	4



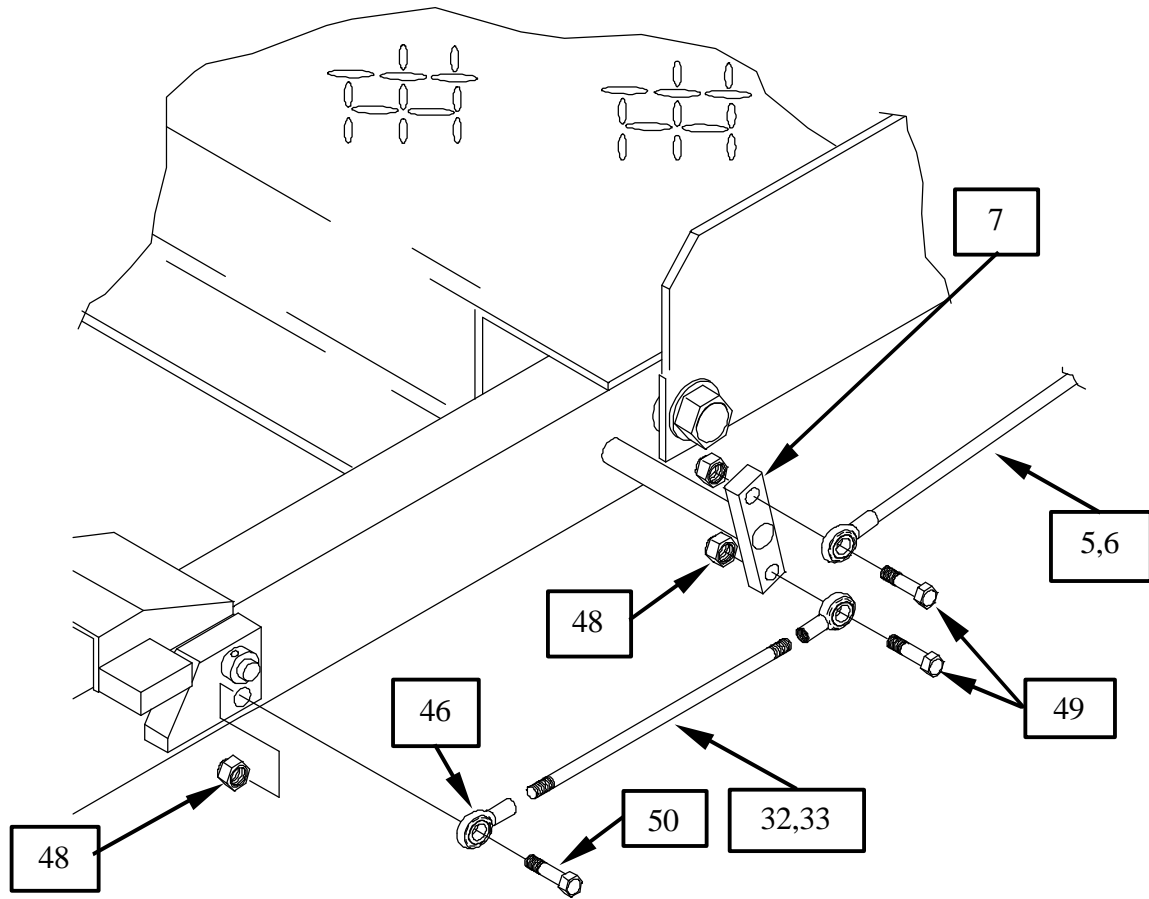
SS7000 Series Lift Exploded View



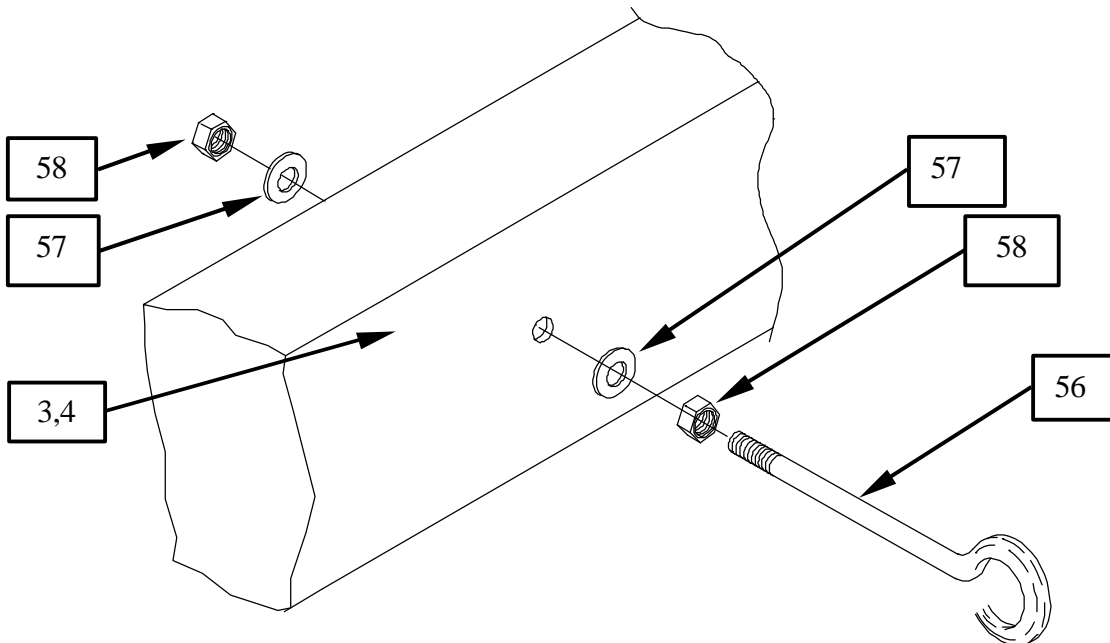
Detail "A" Power Unit



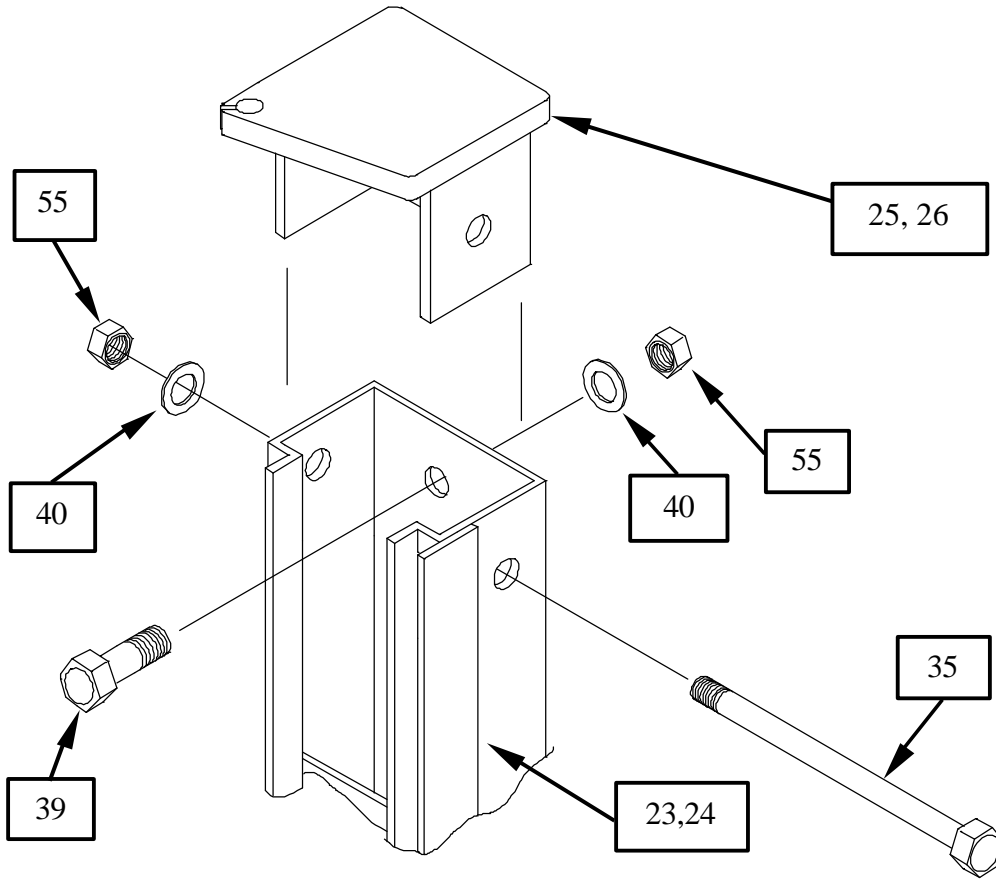
Detail "B" Safety Rod Coupler Assembly



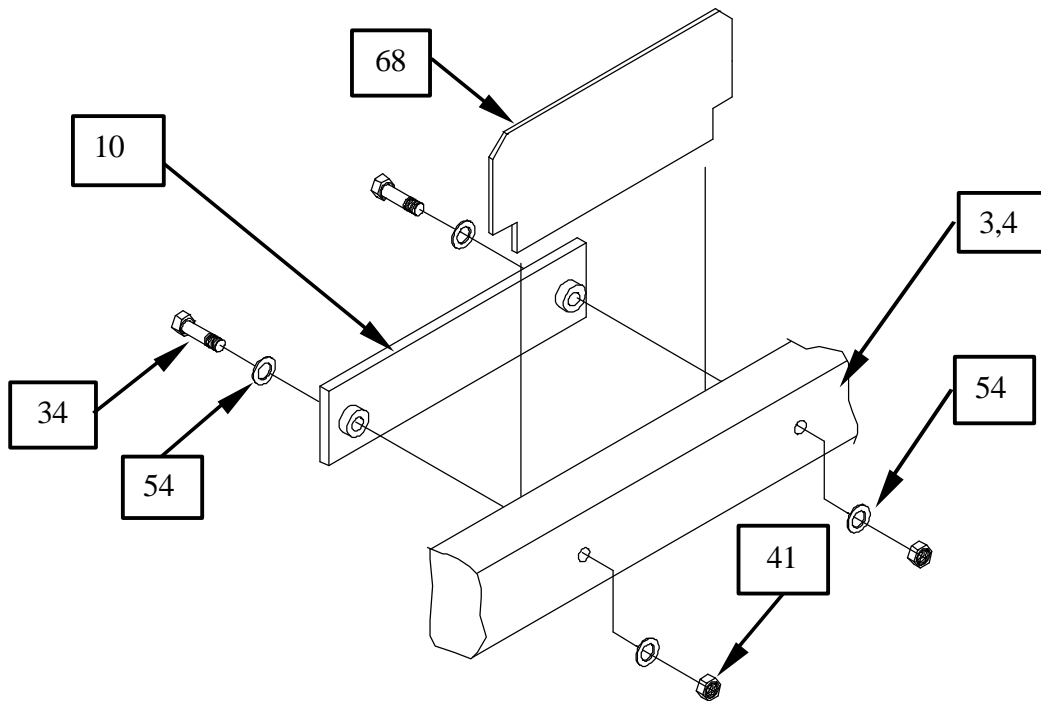
Detail "C" Safety Rod Assembly Part 2



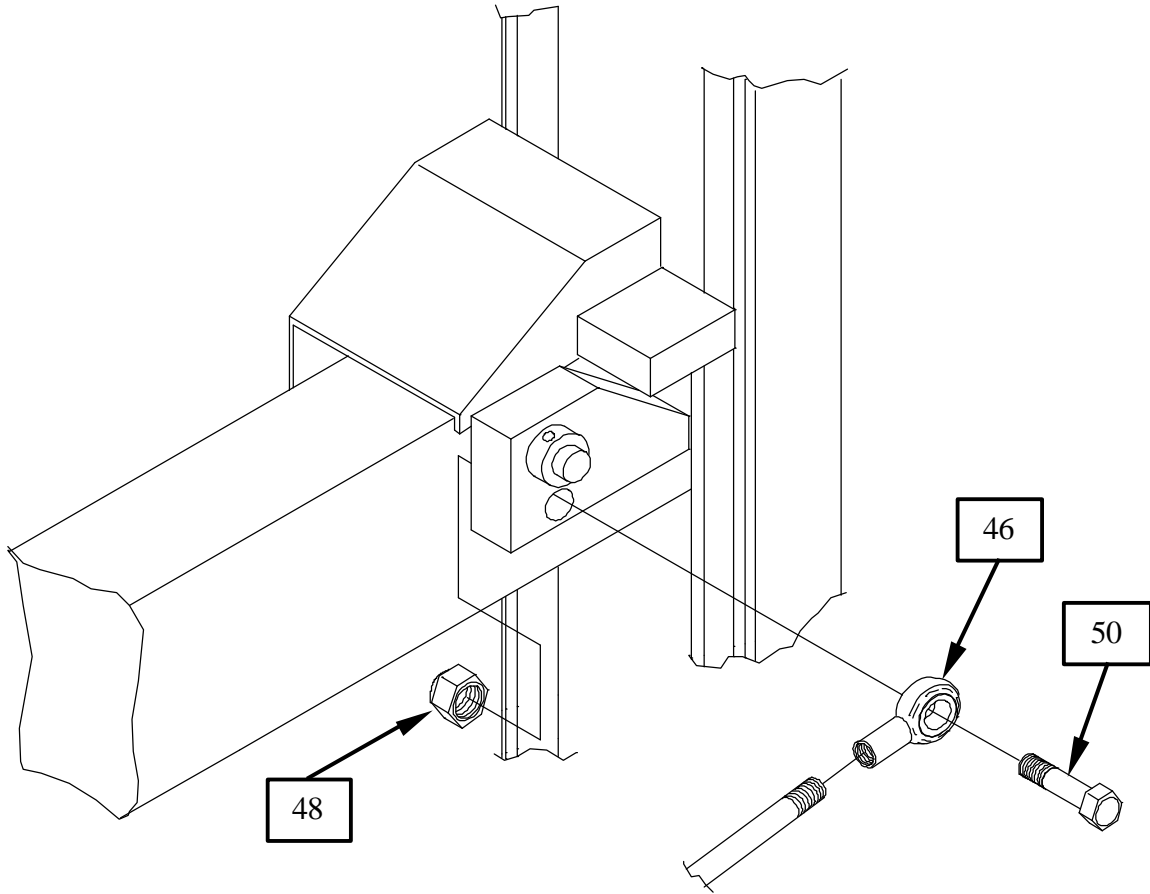
Detail "D" Safety Rod Eye Bolt Assembly



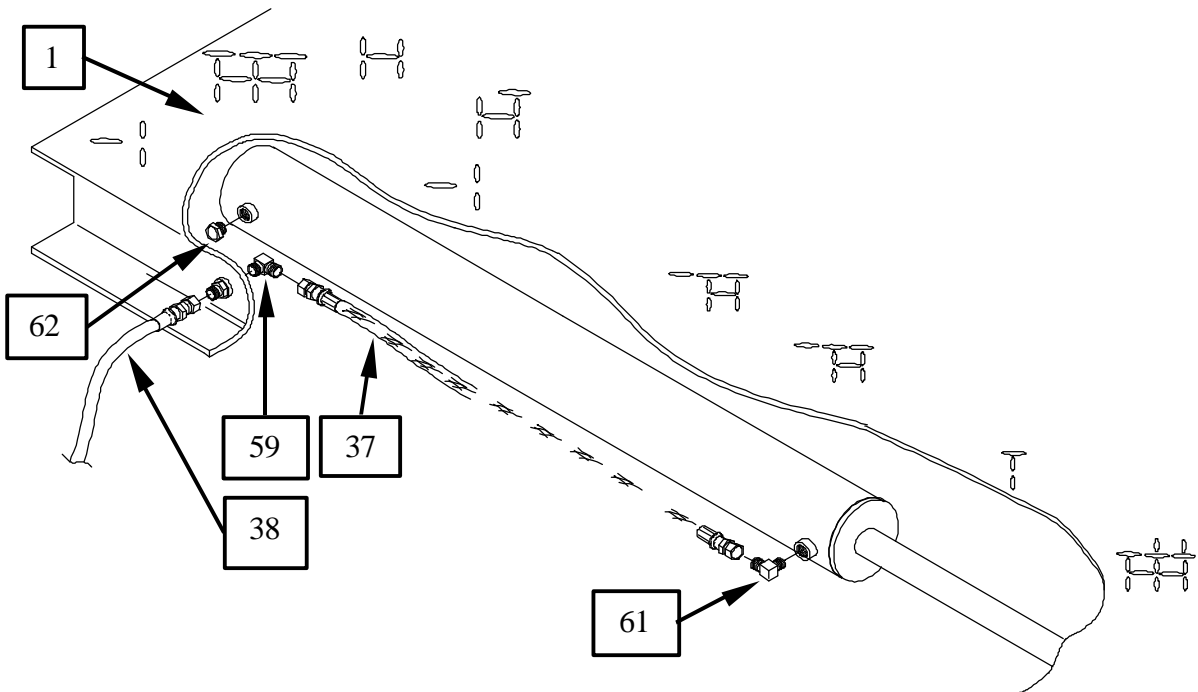
Detail "E" Column Top Cap Assembly



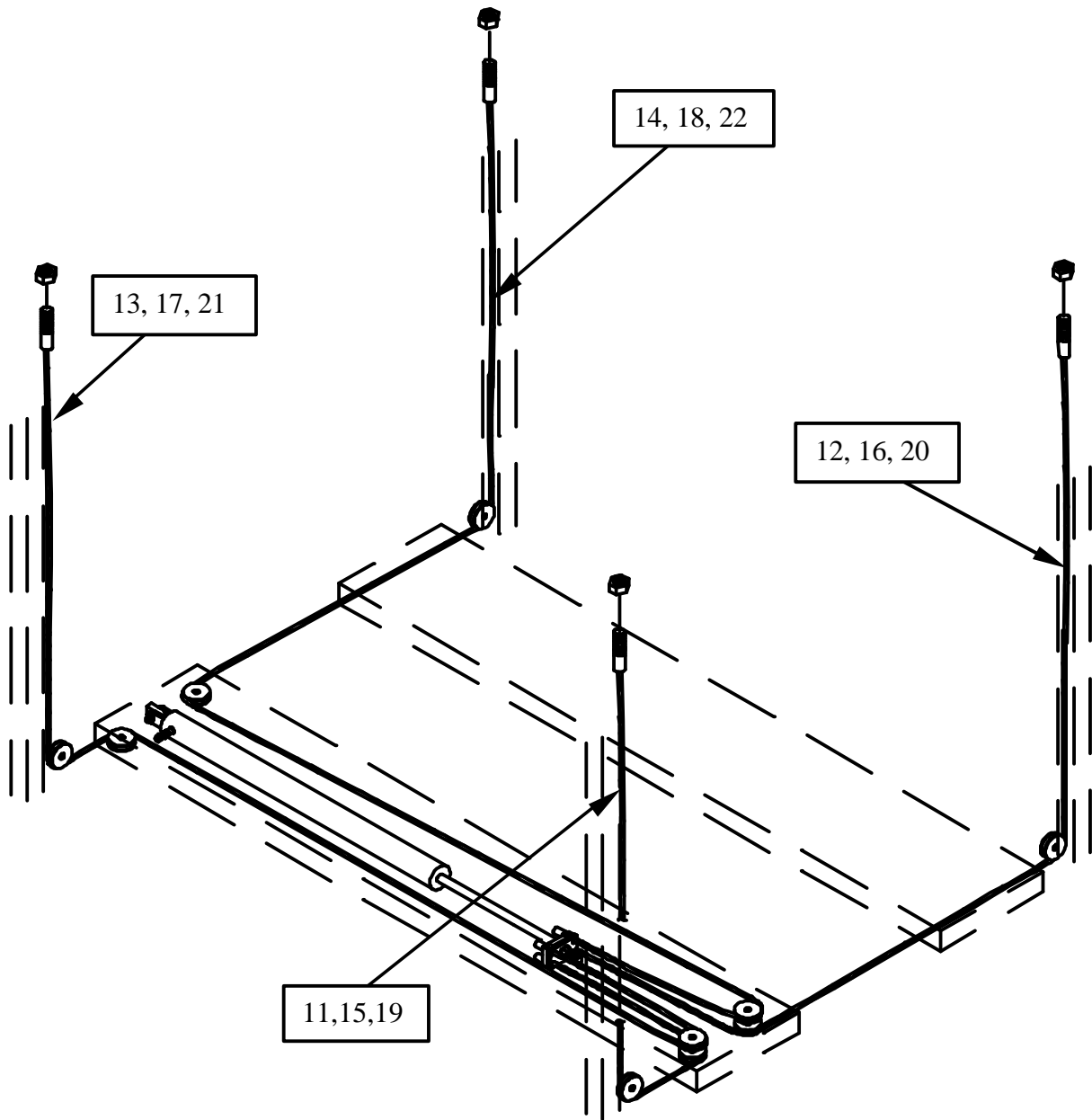
Detail "F" Ramp Clip and Wheel Stop



Detail "G" Safety Rod Assembly Part 3



Detail "H" Cylinder Assembly



Detail "I" Cable Assembly

Index

- Adjust the Cables, 42
- Aluminum ramps, 8
- Assemble the Columns, 16
- Assemble Your Lift, 16
- Bag A, 14
- Bag B, 14
- Bag C, 14
- Bag D, 14
- Bag E, 14
- Bolt Box, 13
- Bracket, 11
- Bushings, 44
- Cable, 22, 25, 26, 29, 30, 31, 32, 33, 46
- Cable Holder, 30, 33
- Cable Retainer, 25, 26, 29, 30, 31, 33
- Columns, 5, 9, 16, 18, 19, 20, 22, 43, 48
- Compressed Air, 24, 25, 26
- Compressed Air, 24
- Cross rail, 18, 19, 21, 24, 25, 26, 35, 47
- DEXRON®, 5, 43
- Extend the Ram using a Winch or Come-along, 26
- Extend the Ram using Compressed Air, 24
- Heim end, 36, 38
- Hydraulic Fluid, 5
- Install Caster Kits, 47
- Install Drive-On Ramps, 45
- Install Hydraulics, 39
- Install Plastic Sheets, 46
- Install Safety Lock Rods, 34
- Install the Tracks, 20
- Install Top Caps, 22
- Inventory, 13
- Mainside track, 10, 11, 12, 20, 21, 24, 29, 30, 31, 32, 34, 37, 39, 40, 41, 46
- Offside track, 8, 9, 20, 21, 32
- Operation and Maintenance, 43
- Power cylinder, 20, 24, 26, 33, 34, 40
- Power unit, 9, 12, 20, 39, 41, 42, 43
- Ram, 24, 25, 26, 33, 40
- Safety, 5
- Safety locks, 18, 42, 43
- Specifications, 5
- Top caps, 22, 42
- Unpacking, 7

Eagle Equipment, Inc. provides this publication “as is” without warranty of any kind, either expressed or implied, including but not limited to the implied warranties of merchantability or fitness for a particular purpose. Some states or jurisdictions do not allow disclaimer of express or implied warranties in certain transactions; therefore, this statement may not apply to you. Eagle Equipment reserves the right to revise this publication and to make changes from time to time in the content hereof without obligation of Eagle Equipment to notify any person of such revision or changes.

Copyright © 2002 by Eagle Equipment, Inc. All rights reserved. No part of this publication may be transmitted, transcribed, reproduced, stored in any retrieval system or translated into any language or computer language in any form or by any means, mechanical, electronic, magnetic, optical, chemical, manual, or otherwise, without the prior written consent of Eagle Equipment, Inc., P.O. Box 420, Chartley MA 02712-0420. Printed in the United States of America.

Trademarks And Credits

3 in 1™ is a registered trademark of Three D Corporation.
Other terms used in this manual are the trademarks of their respective holders.