



MTP-9F

9,000 LBS. CAPACITY
TWO-POST LIFT
(FLOOR-PLATE)

INSTALLATION & OPERATION MANUAL

DATE INSTALLED: _____
MODEL # _____
SERIAL # _____

REV200801.0 BD

TABLE OF CONTENTS

INTRODUCTION.....	page	3
IMPORTANT SAFETY INSTRUCTIONS	page	4
TRANSPORTATION.....	page	5
SHIPPING & DAMAGE CLAIMS	page	5
UNPACKING.....	page	5
BASIC STRUCTURE OF PRODUCT	page	6
COMPONENTS.....	page	7
INSTALLATION	page	8
Selecting a Location	page	8
Floor Requirements	page	8
Concrete Specifics	page	8
Positioning the Towers	page	9
Securing the Main Side Tower	page	10
Installing the Overhead Beam	page	11
Installing the Cables	page	11
Installing the Swing Arms	page	13
Installing the Power Unit	page	13
Wiring	page	14/15
Start-Up	page	15
Securing the Offside Tower	page	16
Installing Overhead Cut-Off Cable	page	16
IMPORTANT INSTRUCTIONS	page	17
Operation	page	17
Maintenance	page	18
TROUBLE-SHOOTING.....	page	19
PARTS LIST.....	page	20
Structure.....	page	20
Sub-Structure	page	21
Power Unit	page	22
WARRANTY INFORMATION.....	page	23

INTRODUCTION

Thank you for your purchase.

Your lift is the result of decades of research, testing and development; and represents the most advanced technology on the market.

The care with which you maintain and operate your lift will directly affect its overall performance and longevity.

BE SAFE

Your lift was designed and built with safety in mind. However, safety relies on proper training and thoughtful use on the part of the operator. DO NOT operate or repair this equipment without reading this manual and the important safety instructions shown inside.

Keep these instructions accessible, and make sure that ALL USERS read this manual.



READ THIS ENTIRE MANUAL
CAREFULLY AND COMPLETELY
BEFORE INSTALLATION
OR OPERATION OF THE LIFT.



RECORD THE MODEL NUMBER AND THE SERIAL NUMBER

(LOCATED ON THE MAIN POST OF YOUR LIFT)

HERE AND ON THE COVER OF THIS MANUAL FOR FUTURE REFERENCE.

Model Number: _____

Serial Number: _____

Manufacturing date: _____

THIS INFORMATION WILL BE REQUIRED
SHOULD YOU EVER NEED TO CALL IN
FOR PARTS OR TECHNICAL ASSISTANCE.

For assistance, please call: 1-800-535-0016

IMPORTANT SAFETY INSTRUCTIONS

Read These Safety Instructions Thoroughly

1. Read and understand all operation & safety warning procedures before operating lift.
2. Keep hands and feet clear. Remove hands and feet from any moving parts. Keep feet clear of lift when lowering. Avoid pinch points.
3. Keep work area clean. Cluttered work areas invite injuries.
4. Consider work area environment. Do not expose equipment to rain. Do not use in damp or wet locations. Keep area well lighted.
5. Only trained personnel should operate this lift. All non-trained personnel should be kept away from the work area. Never let non-trained personnel come in contact with, or operate lift.
6. Use lift correctly. Use lift in the proper manner. Never use lifting adapters other than those provided by the manufacturer, in any manner other than intended.
7. Do not override self-closing controls.
8. Remain clear of lift when raising or lowering vehicle.
9. Clear area if vehicle is in danger of falling.
10. Always insure that the safeties are engaged before any attempt is made to work on or near vehicle.
11. Dress properly. Non-skid, steel-toe foot-wear is recommended when operating lift.
12. Guard against electric shock. This lift must be grounded while in use to protect the operator from electric shock. Never connect the ground wire to a live terminal. This is for ground only.
13. **Danger!** The power unit used on this lift contains high voltage. Disconnect power at the receptacle before performing any electrical repairs. Secure plug so that it cannot be accidentally plugged in during service.
14. **Warning!** Risk of explosion. This equipment has internal arcing or sparking parts which should not be exposed to flammable vapors. This machine should not be located in a recessed area or below floor level.
15. Maintain with care. Keep lift clean for better and safe performance. Follow manual for proper lubrication and maintenance instructions. Keep control handles and/or buttons dry, clean and free from grease and oil.
16. Stay alert. Watch what you are doing. Use common sense. Be aware.
17. Check for damaged parts. Check alignment of moving parts, breakage of parts or any condition that may affect its operation. Do not use lift if any component is broken or damaged.
18. Never remove safety related components from the lift. Do not use lift if safety related components are damaged or missing.

TRANSPORTATION

An automotive lift is a heavy piece of equipment. A fork-lift or other similar mechanism is necessary for its loading, off-loading and movement. Upon arrival, customer is responsible for unloading and receiving the lift from the freight carrier. Customer's site must be accessible to the freight carrier.

SHIPPING AND DAMAGE CLAIMS

INSPECT YOUR LIFT UPON DELIVERY. NOTE ANY DAMAGE ON DELIVERY RECEIPT.

When this equipment is shipped, title passes to the purchaser upon receipt from the carrier. Consequently, claims for the material damaged in shipment must be made by the purchaser against the transportation company at the time shipment is received.

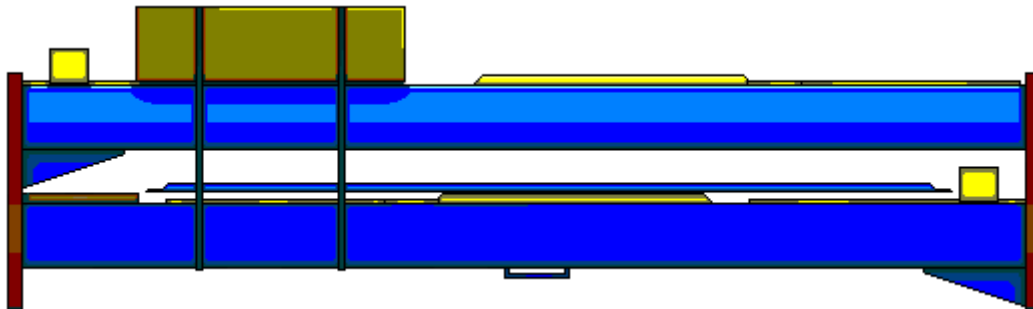
UNPACKING



WARNING Failure to follow the Unpacking and Assembly Directions may cause personal injury and/or impair the operation of this machine. Please read thoroughly.



- 1] Your lift comes packaged as a single unit (Fig. 1). A fork-lift, floor-jack or other heavy-lifting equipment may be necessary to separate the components. Exercise caution when disassembling the packaged lift, as shifting may have occurred during shipping.
- 2] Carefully remove the shipping bands and brackets from the lift. Check for any obvious shipping damage. (Remember to report any shipping damage to the carrier and make a notation on the delivery receipt.) Save all bolts, nuts and washers securing the shipping brackets, as these may be used in the assembly of the lift.
- 3] The unit is composed of several main components. (See Fig. 2, below)
- 4] An Accessory Box is included with the lift, for smaller components.
- 5] Un-strap and remove Power Unit box from packaged lift. (Literature such as the Installation Manual, Warranty Card, and Serial Number Plate is usually included inside this box.) Inspect the power unit, and note any possible shipping damage on the shipping bill.
- 6] Remove Arms from their shipping location inside towers, and set aside.



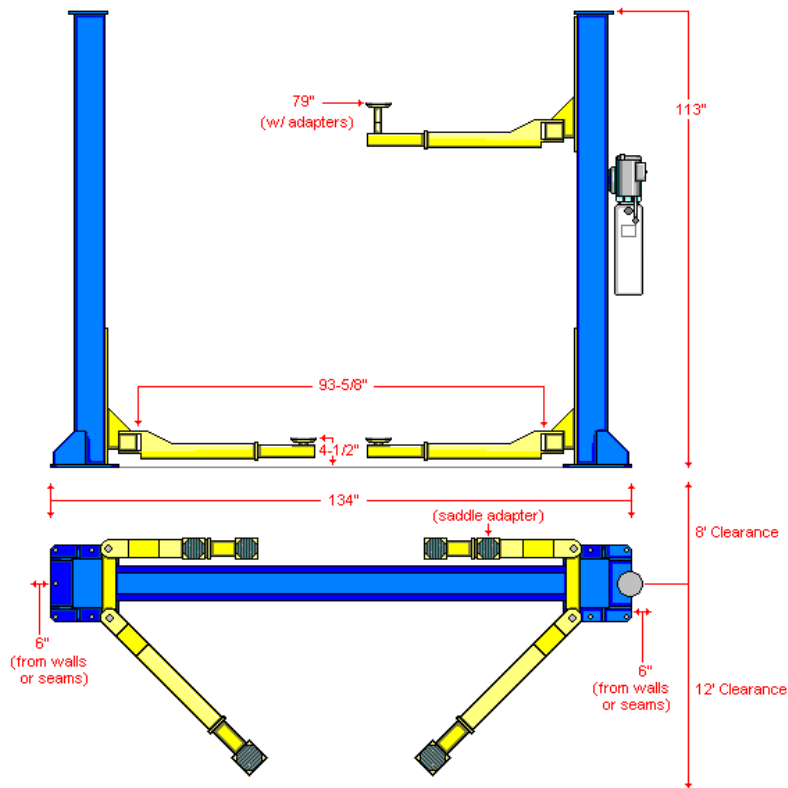
(Fig. 1)

BASIC STRUCTURE OF PRODUCT

This product is a two-post, dual cylinder, chain-over-hydraulic lift which uses steel cables for equalization. The main components are the towers, lifting carriages, swing arms, cylinders, chains, cables and power unit. Arms and carriages have locking mechanisms for simple and safe operation.

Depressing the switch on the power unit raises the lift. Releasing the switch stops the lift. Lift should always be settled on the carriage locking mechanisms. To lower the lift, simply raise the carriages up off the locks, pull on the small ringed cables below both carriages to disengage the locks, and depress the lowering handle.

Arms rotate and telescope for easy use. Adapters are included for raising the height of the base-pad at the end of the arm. Swing arm locks automatically engage as the carriages rise, and disengage once they are lowered to the floor.



(Fig. 2)

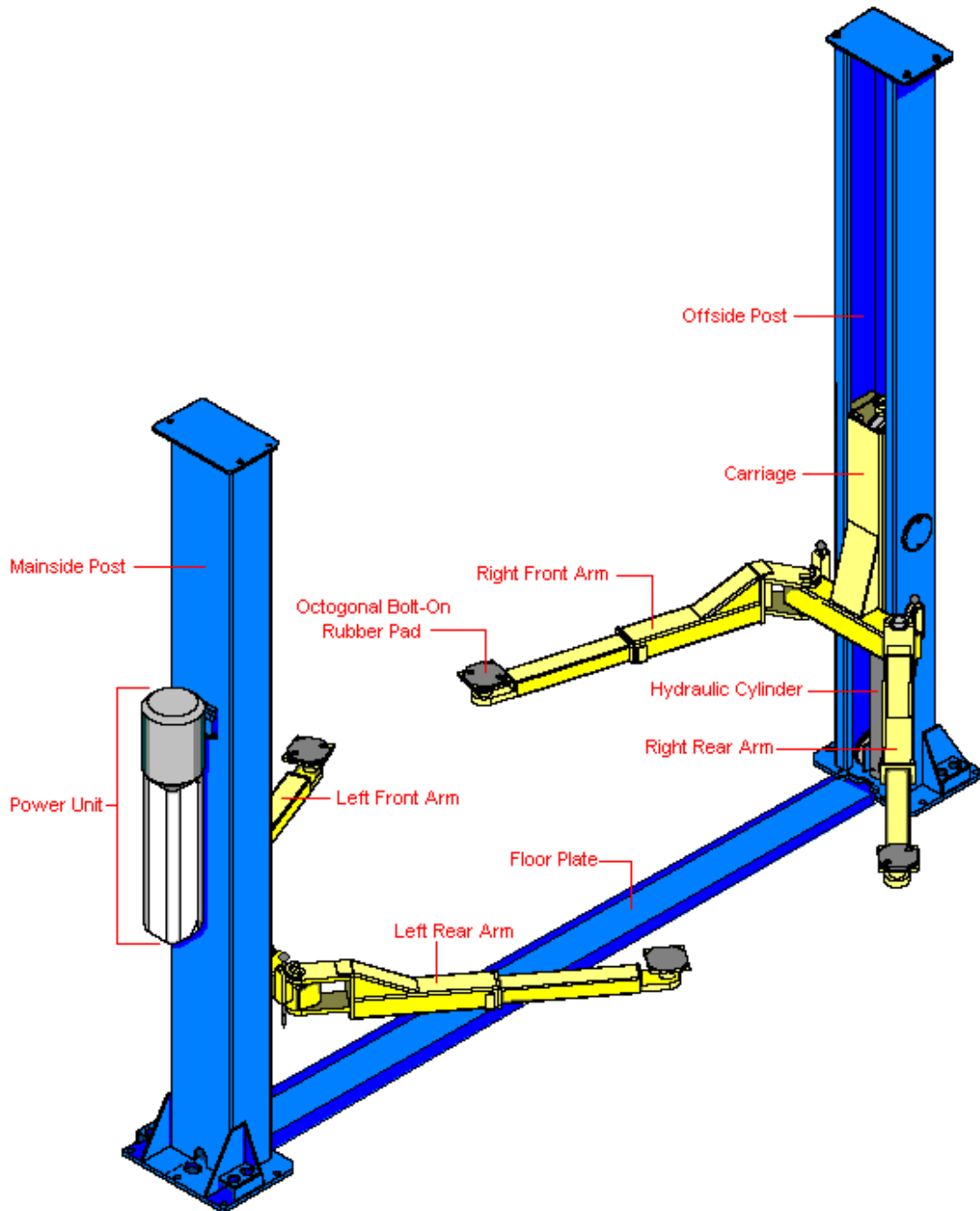
MTP-9A BASIC INFORMATION

Lifting Capacity:	9,000lbs.		
Lifting Height:	79" (w/ adapters)		
Overall Height:	143"	Overall Width:	134-5/8"
Voltage:	220v / 20a / 1ph		
Shipping Weight:	1,500lbs.		
	Drive-through Clearance:	93-5/8"	

COMPONENTS



It is a good idea to familiarize yourself with the components of your lift and the terms describing them. (Fig. 3)



(Fig. 3)

INSTALLATION

STEP 1

Selecting the Site

Your lift requires a 220v, 30amp, single phase, grounded electrical source. The area of operation should provide the minimum space shown above (Fig. 2). There should be room enough to operate the lift in a safe manner and without restrictions. The area should be kept clean of oil, grease, etc., and clear of clutter. Avoid areas where customers or other bystanders may be present.

Before installing your lift, check the following:

1] LIFT LOCATION: Always use architect's plans when available. Check layout dimension (fig. 2) against floor plan requirements making sure adequate space is available.

2] OVERHEAD OBSTRUCTIONS: The area where the lift will be located should be free of overhead obstructions such as heaters, building supports, electrical lines, doors, etc.

3] DEFECTIVE FLOOR: Visually inspect the site where the lift is to be installed and check for cracked or defective concrete.

STEP 2

Floor Requirements

Specifications of concrete must be adhered to. Failure to do so could cause lift failure resulting in personal injury or death.

A level floor is suggested for proper installation and level lifting. Small differences in floor slopes may be compensated for by proper shimming. If a floor is of questionable slope, consider a survey of the site and/or the possibility of pouring a new level concrete slab.

DO NOT install this lift on any asphalt surface or any surface other than concrete.

DO NOT install this lift on expansion seams or on cracked or defective concrete.

DO NOT install this lift on a second/elevated floor without first consulting building architect.

DO NOT install this lift outdoors unless special consideration has been made to protect the power unit from inclement weather conditions.

CONCRETE SPECIFICATIONS

<u>LIFT MODEL</u>	<u>CONCRETE REQUIREMENT</u>
MTP-9F (9,000 lbs.)	4" <u>Minimum</u> Thickness

NOTE: All models **MUST** be installed on 3,000 PSI reinforced concrete only; conforming to the minimum requirements shown above. New concrete must be adequately cured for at least 30 days.

STEP 3

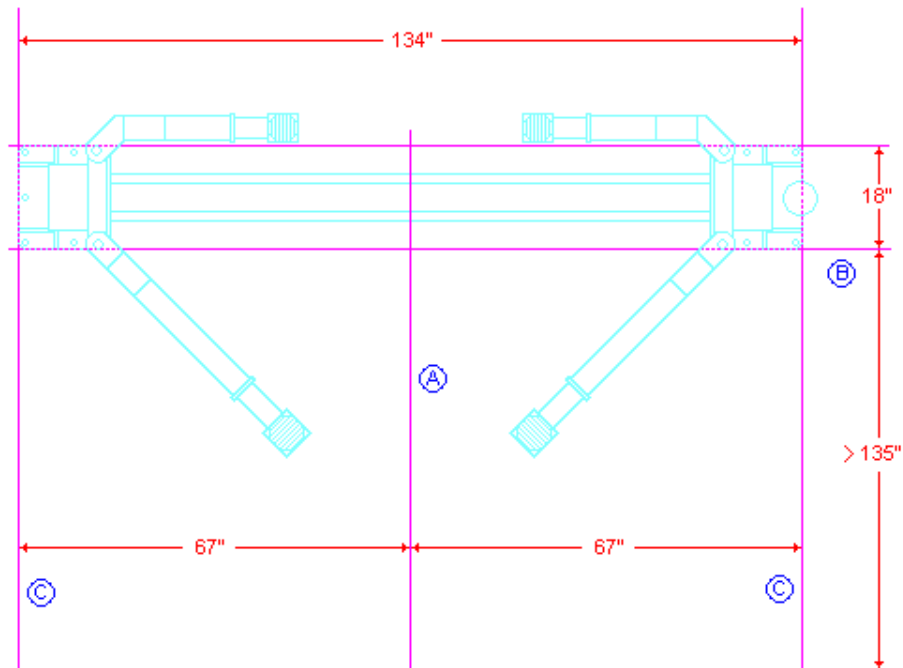
Positioning the Towers

1] Determine the approach angle for the lift.

Note: It can be helpful to pull a vehicle into the bay prior to installation, to give you a general idea of where you want to place your posts. Mark and use these locations when chalking more specific lines.

2] Determine where the power unit will be located. The **POWER SIDE** column has the power unit mounting bracket attached to the side. This column can be positioned on either side.

3] Once location is determined, use a carpenter's chalk line to layout a grid for post locations. (Fig. 4) Keep all dimensions, and square of the dimensions, within 1/8" or lift malfunction can occur.



(Fig. 4)

4] First, snap a center line **A** down the middle of the bay where the lift will be installed.

5] Next, determine the distance your lift will sit from the back of the bay or door. Twelve (12) feet minimum are recommended to the center of your lift. Snap a line 135" (or wherever the back edge of the lift will be set) from the door **B**.

6] Snap lines 67-5/16" from the center-line on either side of the bay **C** for a total width of 134-5/8".

7] Raise and position the towers inside the corners of these lines as shown above (Fig. 4).



NOTE: DO NOT secure the towers at this time!



STEP 4

Securing the Main-Side Tower

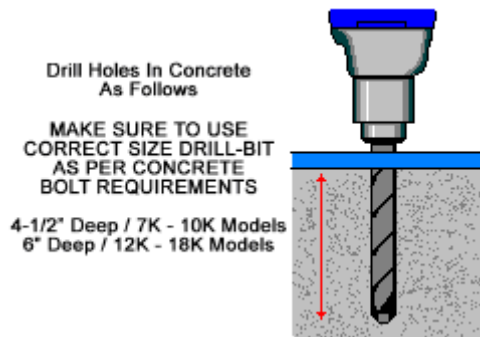


WARNING BE VERY CAREFUL NOT TO DISTURB THE TOWERS AT THIS POINT WARNING AS THEY MAY TIP OVER AND CAUSE PERSONAL INJURY OR HARM.

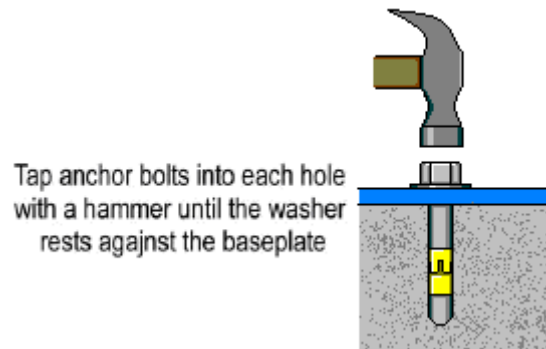


1] Double check all dimensions and make sure the layout is square. Verify the position of the Main Tower within the square.

2] Once the Main Side Tower is in its final position, drill holes in the concrete using the base plate of the tower as your template (Fig. 5). Be sure to use correct size drill bit; drill straight clear holes.



(Fig. 5)



(Fig. 6)

3] Once holes are drilled, insert anchor bolt(s) into hole(s) and tap down until washer rests against the base plate (Fig. 6). Be sure nut is flush with top of bolt before tapping into hole.

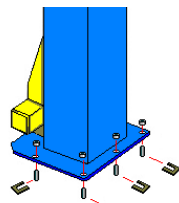
DO NOT TIGHTEN AT THIS TIME.



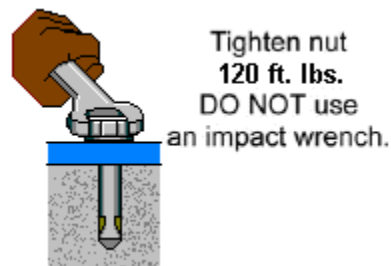
CAUTION: Hitting the anchor bolts too hard may result in damaged threads, which may prevent proper tightening of the nut. Tap firmly, but carefully.



4] Before tightening the anchor bolts, check the plum of the Main Side Tower with a 4' level. Shim as necessary (Fig. 7).



(Fig. 7)



(Fig. 8)

5] Once the Main Side Tower is positioned and shimmed correctly, secure it to the floor by tightening the anchor bolts to 120 foot-pounds. **DO NOT** use an impact wrench (Fig. 8).



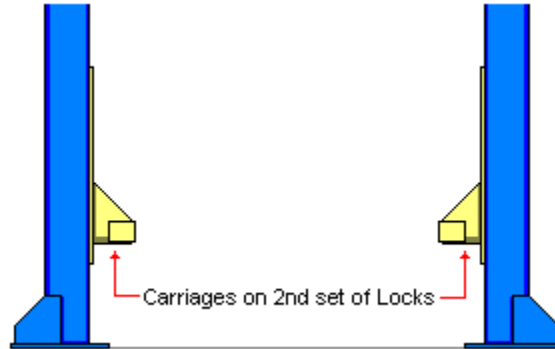
NOTE: DO NOT secure the Off-Side tower at this time!



STEP 5

Installing the Cables

1] Manually raise both carriages to rest on the second set of locks from the floor (Fig. 9).

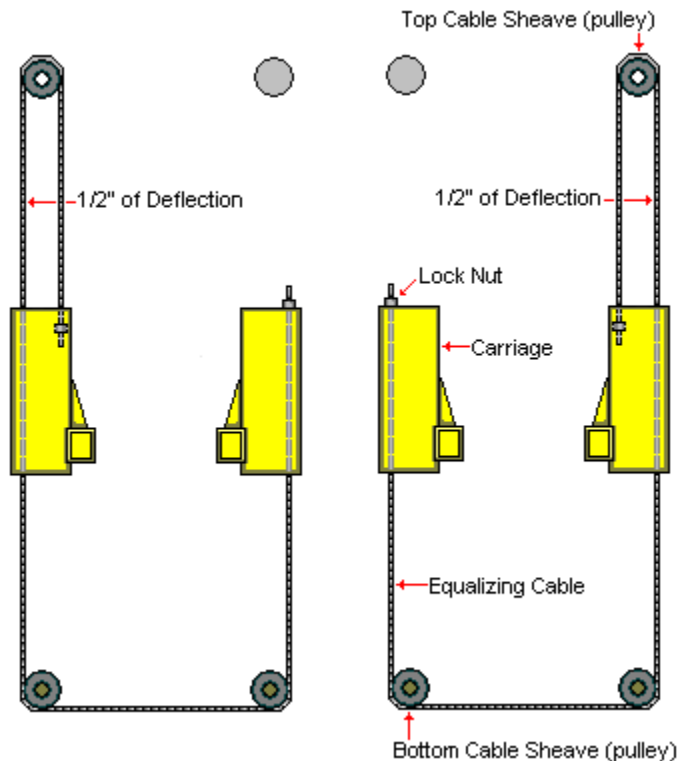


(Fig. 9)

2] Make sure both carriages are resting on the second set of locks. Carriages must be equal height from floor.

3] Unwrap both cables, and verify their length. (Both cables should be of equal length.) Install lock nut(s) on one end of each cable. About an inch (1") of thread should show through the nut. This end will be inside and at the front of the carriage after routing.

4] With both carriages in place on the second set of locks, route cables as shown (Fig. 10).



(Fig. 10)

5] All adjustments should be made at the exposed lock nut at the back of each carriage. It may be necessary to secure the cable end with a pair of vice grips inside the carriage, below the adjustment lock nut.

6] Remove the slack from both cables. Before all slack is removed, begin to alternate from one post to the other. First tighten one cable a few turns, before returning to the other tower and tightening the second cable an equal number of turns. If done correctly, both cables will tighten up an equal amount, and neither carriage will lift off the locks (as they are tightening against one another).

7] Do this until there is ½” of deflection in the cable at the back of each column (Fig 10).



NOTE: Cable tension is very important to the correct and safe operation of your lift. See the Maintenance Section of this manual for information on maintaining proper cable tensions.

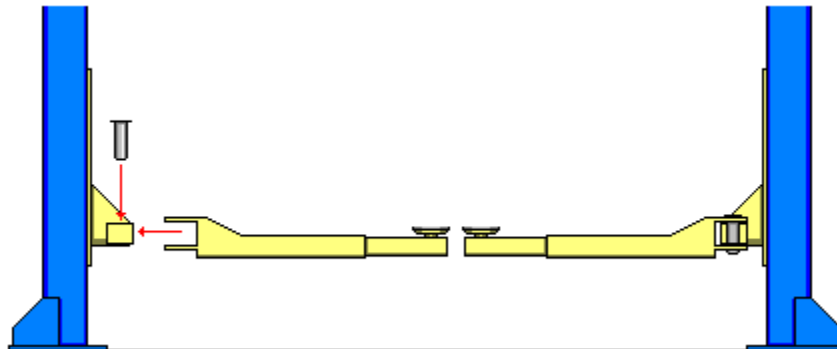


STEP 6

Installing the Swing Arms

1] With the carriages still on the second set of locks from the previous installation step, install the swing arms on the carriages (Fig. 11).

2] Install the arm pins as shown.



(Fig. 11)



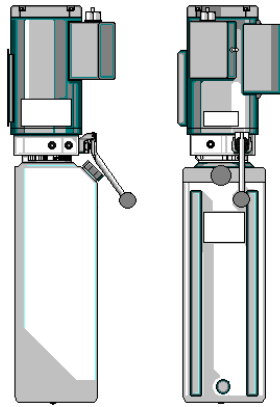
NOTE: If your lift came with Short and Long arms, The short arms must be installed on the front of the lift. The long arms must be installed on the rear.



STEP 7

Installing the Power Unit

1] Carefully remove the Power Unit (Fig. 12) from its box and packaging; inspect and immediately notify Eagle Equipment Customer Service if any shipping damage is found.



(Fig. 12)

2] Mount the Power Unit to the mounting bracket on the Main-Side Tower, using the four (4) 5/16" x 3/4" hex bolts included.

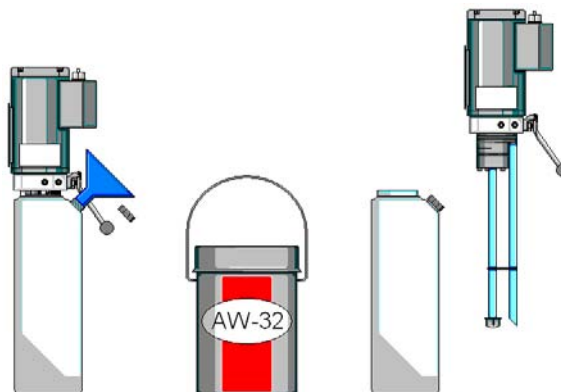
3] Fill the reservoir with 12 quarts of hydraulic oil. USE ONLY: **ISO-32** or **AW-32** 10-wt. Hydraulic Oil. **DO NOT USE DEXRON, ATF, TRACTOR OIL or JACK OIL.** AW-32 can usually be found at local Auto Parts stores.



WARNING: DO NOT use ATF in this lift!



NOTE: Power Unit Reservoir can be filled either before or after mounting it to the lift; whichever the installer finds easier. For quicker filling, the reservoir can be taken off, filled and re-connected to the pump (Fig. 13).



(Fig. 13)

STEP 8

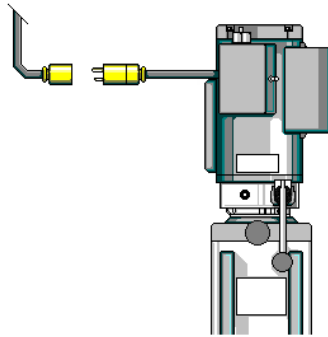
Wiring the Lift



WARNING FINAL ELECTRICAL CONNECTION MUST BE MADE BY A CERTIFIED ELECTRICIAN.



1] The power unit typically comes with a “pig-tail” already attached and wired to the motor. It is recommended that a twist-lock connection be installed at this pig-tail as an emergency disconnect (Fig. 14).



(Fig. 14)

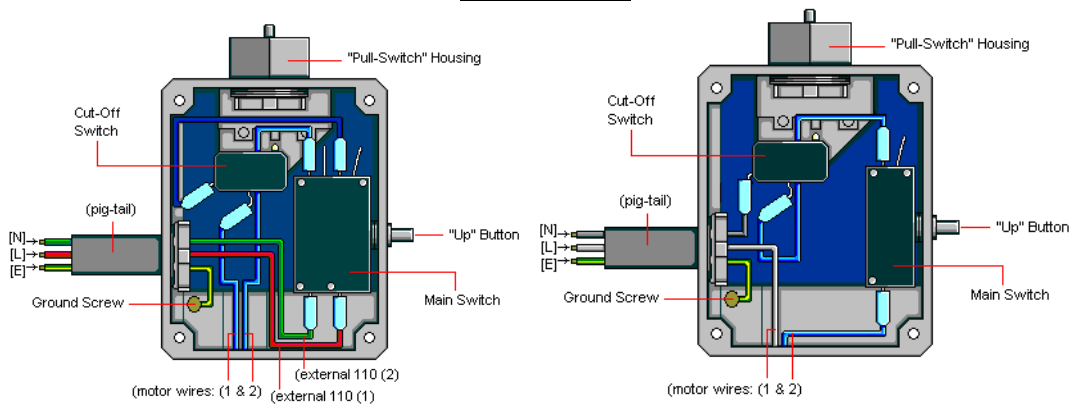
2] Power Unit comes pre-wired with a pig-tail attached. Wiring may vary, depending on the Power Unit. Wire the power unit as shown below, depending on configuration for your Power Unit (Fig. 15a or 15b).



WARNING DO NOT ASSUME WIRING COLORS OR LABELS ARE ACCURATE. VERIFY THE WIRING INSIDE SWITCH BOX OF POWER UNIT IS ROUTED CORRECTLY TO PROVIDE 220v/20@/SINGLE PHASE TO THE SWITCH AND MOTOR, WITH PROPER GROUND.



SWITCH BOX



(Fig. 15a)

(Fig. 15b)

STEP 9

Start Up

- 1] Make sure the reservoir is filled with 12 quarts of AW-32 hydraulic oil.
- 2] Spray inside corners of columns, where the guide blocks slide, with lithium grease.
- 3] Press the “UP” switch on the power unit. Lift will slowly raise.



IF THE LIFT DOES NOT RAISE



CHECK hose connections: Fluid should be pumping through the hose connected to the Power Unit.
CHECK fluid level: Verify pick-up tube inside reservoir is connected to pump.
CHECK electrical connection: Verify 220v, 20@, 1ph connection is properly wired.



**NOTE: There will be some initial stretching of the cables in the beginning.
It will be necessary to re-adjust the cables a week after first use.
Then every six (6) months thereafter.**



- 4] Run the lift up and down a few times to bleed the hydraulic system. Ensure the locks are engaging uniformly and that the safety release mechanisms are functioning properly. Re-adjust if necessary.

STEP 10

Securing the Off Side Tower

- 1] Once operation is verified, re-check the position and placement of the Off Side Tower. Make sure the tower is plum and square in relation to the Main Side Tower. Only when all this is confirmed should the Off Side Tower be secured to the floor.
- 2] Drill through the base plate holes, install anchoring bolts and secure the Off Side tower as described in Step 4 (above) for the Main Side tower. Shim as necessary.
- 3] Both towers are now secured. The floor-plate can now be secured. Double check all nuts and bolts on the lift.

STEP 11

Installing the Floor-Plate

- 1] Secure the Floor-Plate to the base of the columns using the Allen cap-bolts provided. Floor-Plate should cover the hose and cables, without making contact with the cables. Cables should not rub against edge of Floor-Plate.

OPERATION

RAISING A VEHICLE ON THE LIFT

1] Read these Operating Instructions completely before using lift. Read and Install Operating and Safety Decals on the lift. (These are sometimes included with the literature for application after installation.)

2] Center the vehicle between the columns.



WARNING

**Back of vehicle should always set to the back of the lift.
NEVER attempt to back a vehicle onto an asymmetric lift.**



WARNING

3] Adjust swing arms so that the vehicle is positioned with the center of gravity midway between the pads. Always lift vehicles at the manufacturer's recommended lifting points.

4] Use height adapters as needed. Never exceed 9" of pad height.

5] Press the button on the power unit to raise the lift until the pads touch the underside of the vehicle. Re-check pad contact at lifting points; adjust as necessary. Make sure vehicle is secure.

6] Continue to raise the vehicle to the desired working height. Lower vehicle onto nearest carriage safety lock.



WARNING

When working on a vehicle



WARNING

ALWAYS make sure that ALL LOCKS are engaged.
NEVER work beneath a vehicle without it resting securely on the carriage locks.
Ensure that the swing arm locks are engaged.

LOWERING A VEHICLE ON THE LIFT

1] Raise the lift to clear the safety carriage locks.

2] Disengage the carriage locks by pulling on each release cable. Be sure to disengage BOTH carriages.

3] Be sure all tools, step-stools, jack-stands, etc. are cleared out of the way before lowering.

4] Depress the lowering handle on the power unit to lower lift and vehicle.



WARNING

When lowering lift PAY CAREFUL ATTENTION.



WARNING

ALWAYS make sure that ALL LOCKS are disengaged.
If one of the locks inadvertently locks on descent the lift and/or vehicle may dislodge causing personal injury or death.

5] Before removing vehicle from the lift area, position swing arms and extensions to provide an unobstructed exit. NEVER drive over the swing arms.

MAINTENANCE

DAILY MAINTENANCE

- 1] Give the lift a quick once-over before using it each day. Check for any obvious leaks, or defects. Inspect cables, hoses and chains for any sign of wear.
- 2] Verify lift is operating properly, raising levelly and that all locking mechanisms for the arms and carriages are working.

WEEKLY MAINTENANCE

- 1] Lubricate all chain rollers and pulleys. Grease the carriage tracks inside the towers.
- 2] Check all nuts and bolts; tighten where necessary.
- 3] After the first week, check cable tension and adjust as necessary. Check every 6 months after.

MONTHLY MAINTENANCE

- 1] Check and lubricate all safety mechanisms; ensure they are in proper working order. Replace any worn or defective parts.
- 2] Check and tighten anchor bolts as necessary.
- 3] Inspect all moving parts; replace any worn or defective parts.



- 1] If ANY component of the lift is found to be defective, DO NOT USE LIFT!
- 2] NEVER operate the lift with any person or equipment below.
- 3] ALWAYS stand clear of lift when raising or lowering.
- 4] NEVER exceed rated capacity.
- 5] ALWAYS ensure safeties are engaged before working on or near vehicle.
- 6] NEVER leave lift in an elevated position unless it is settled firmly on the safety locks.
- 7] NEVER attempt to back a vehicle onto an asymmetric lift.

TROUBLE-SHOOTING

ANCHOR BOLTS DO NOT TIGHTEN, OR PULL OUT OF FLOOR

- 1] Faulty concrete, or insufficient floor thickness: Have floor checked for proper specifications.
- 2] Wrong drill bit size, wrong-size or defective anchor bolts: Check and correct as required.

LIFT DOES NOT RISE; NO MOTOR NOISE

- 1] No power: Check breaker, power to Power Unit; verify proper wiring.
- 2] Bad switch: Check, replace if necessary.
- 3] Cut-off switch engaged (if present): Verify wiring of cut-off switch.
- 4] Bad motor: Repair or replace.

MOTOR RUNS, BUT LIFT DOES NOT RISE

- 1] No draw from pump: Verify fluid is flowing through hose. Check pick-up tube inside reservoir.
- 2] Check lowering valve for debris or bad o-ring. Inspect check-valve, if present.
- 3] Bad pump: repair or replace.
- 4] Bad motor: Repair or replace.

LIFT RAISES, BUT LABORS

- 1] Wrong Voltage: Lift may be wired at 110vac; verify 220vac.
- 2] Improper flow: Check pressure rating of pump, and verify out-put.
- 3] Vehicle too heavy for lift: Verify weight of vehicle.
- 4] Bad power unit: Repair or replace.

LIFT SHUDDERS OR SHAKES WHEN RAISING OR LOWERING

- 1] Mechanical Binding: Inspect and correct.
- 2] Incorrect fluid used: Verify AW-32, and replace incorrect fluid if necessary.
- 3] Air in lines: Should bleed through reservoir cap; check for restrictions. Bleed manually if necessary.

LIFT RAISES TOO SLOWLY

- 1] Wrong voltage or fluid flow (see above).
- 2] Excessive weight (see above).
- 3] Mechanical binding in structure: Inspect for binding; verify the plum and square of installation.
- 4] Hydraulic flow is restricted: Check hoses and fittings for blockage. Check lowering valve for by-pass.

CARRIAGES RAISE UNEVENLY

- 1] Uneven distribution of weight: Vehicle improperly loaded or out of balance. Re-check and correct.
- 2] Cables out of adjustment: Readjust. Check cables for stretching, fraying or wear. Replace if necessary.
- 3] Unequal hydraulic fluid flow: Check hoses and fittings for restrictions.
- 4] Mechanical binding in one tower: Check and correct as necessary.

CARRIAGE LOCKS DO NOT ENGAGE, OR ENGAGE OUT OF SYNC

- 1] Carriages are not raising evenly: (See above.)
- 2] Locking mechanism(s) are dirty or require lubrication: Lubricate with WD-40, or similar oil.
- 3] Locks are restricted: Check and verify release cable or locking mechanism is not restricted, or jammed.
- 4] Defective components: Inspect and correct or replace as necessary.

LIFT LOWERS UNEVENLY

- 1] Uneven distribution of weight: Vehicle improperly loaded or out of balance. Re-check and correct.
- 2] Mechanical binding: Inspect and correct.
- 3] Hydraulic restriction: Inspect and correct.
- 4] Cables out of adjustment: Inspect and correct.

LIFT LOWERS SLOWLY

- 1] Mechanical binding: Inspect and correct.
- 2] Hydraulic restriction: Inspect and check. Check Lowering valve for dirt, debris or defect. Clean or replace.

LIFT LOWERS TOO QUICKLY

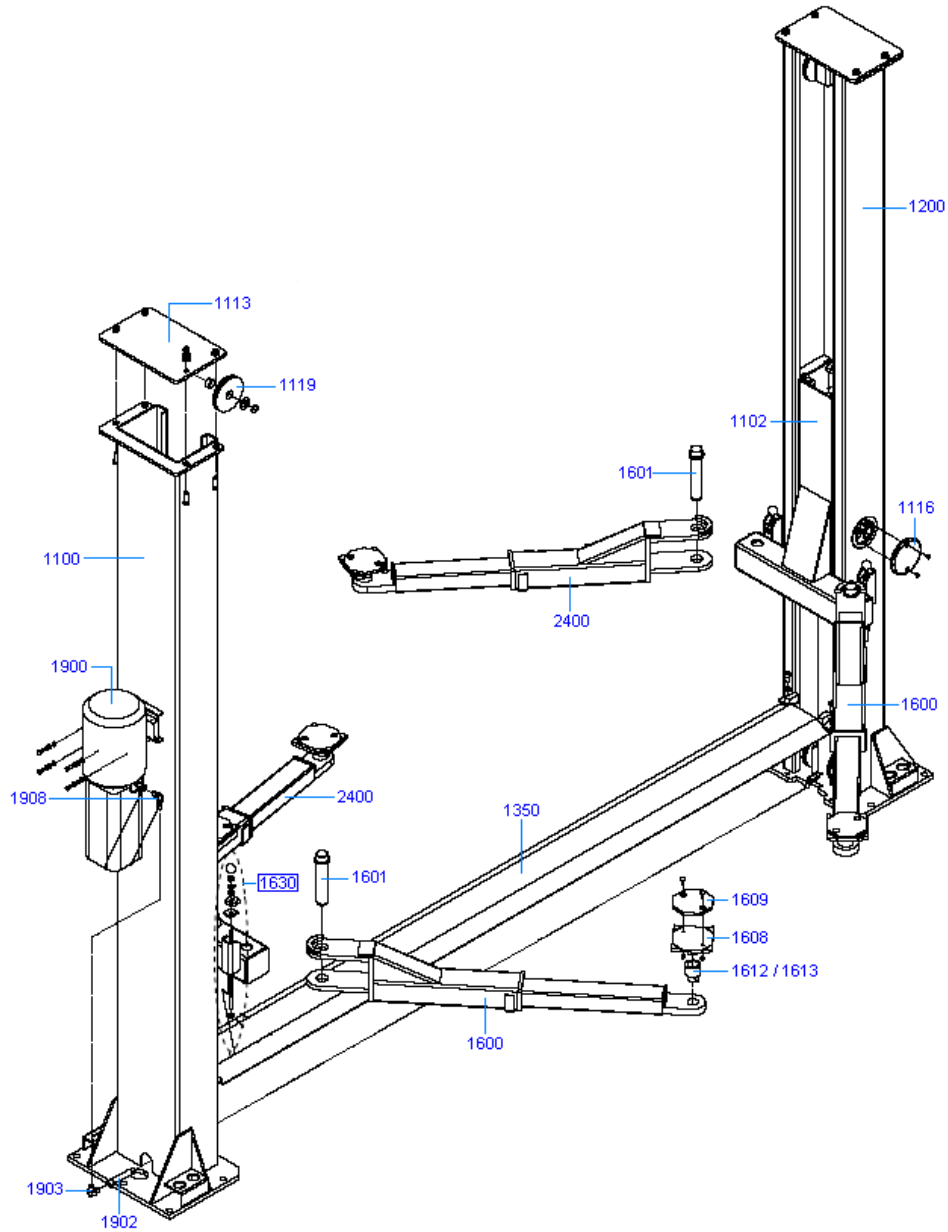
- 1] Wrong fluid used in lift: Verify AW-32, and replace incorrect fluid if necessary.
- 2] Improper Hydraulic Flow: Check for leaks, or defective flow-restrictors or lowering valve.

LIFT WILL NOT COME DOWN

- 1] Verify Carriage Locks are disengaged.
- 2] Check for mechanical binding or restriction. Verify carriages are level.
- 3] Consult professional.
- 4] Turns in one direction only: Check wiring and switch, and linkage on pedal: replace or correct.

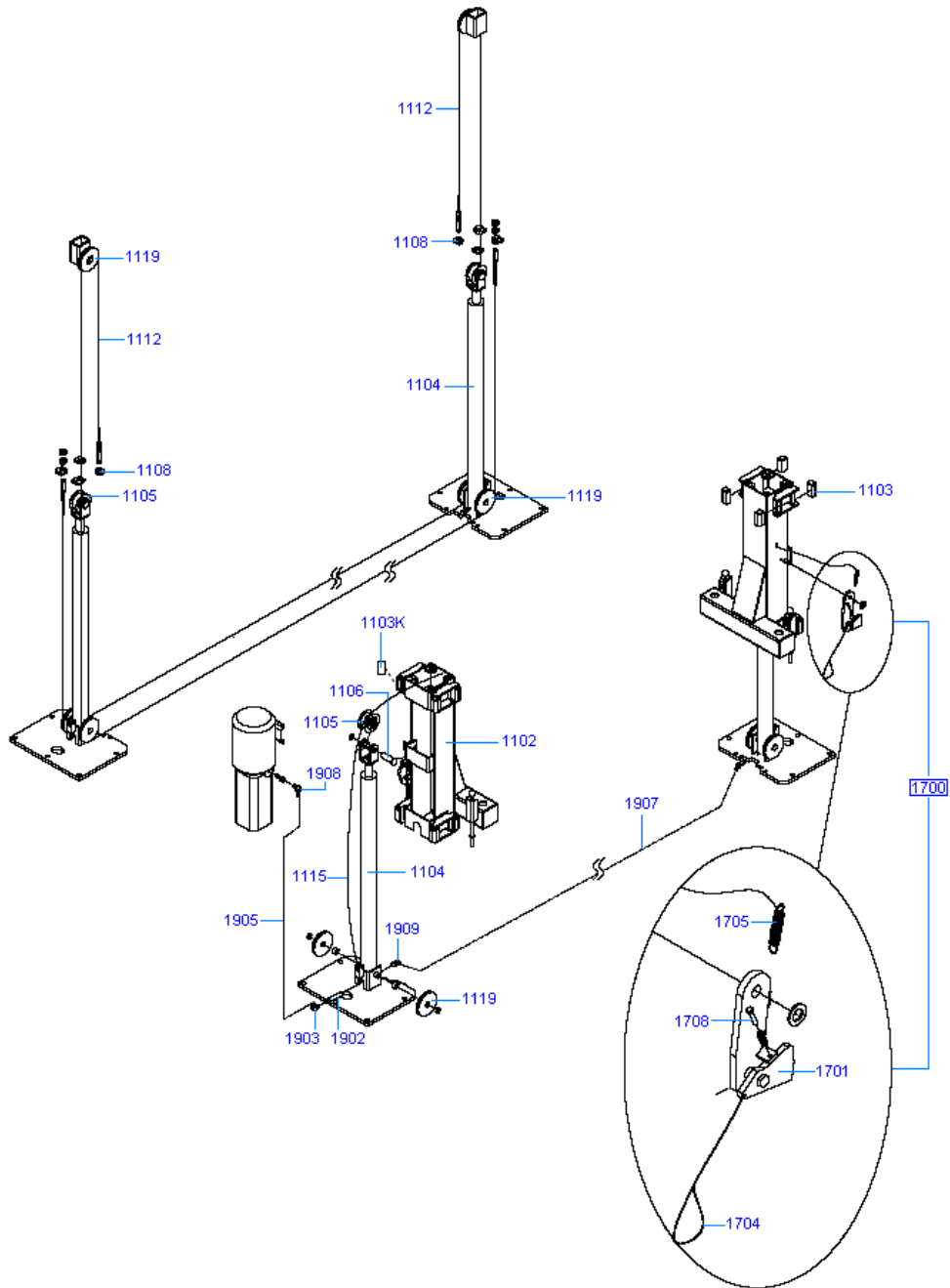
PARTS LISTING

Main Structure



1100	Tower, Main Side	1630	Arm Lock Kit*
1113	Top Cap		*[1602 Rod]
1116	Access Cover		*[1603 Gear]
1119	Cable Sheave (Pulley)		*[1622 Knob]
1200	Tower, Off Side		*[1605 Spring]
1350	Floor-Plate		
1600	Arm Assembly, Rear		
1601	Arm Pin	1900	Power Unit (220vac, 1ph)
1608	Cable Sheave (Pulley)	1902	Fitting, 6" (w/Restrictor)
1609	Rubber Pad, 8-Side (Bolt-On)	1903	Fitting, Elbow
1612	Short Height Extension	1908	Elbow Fitting (O-Ring)
1613	Tall Height Extension	2400	Arm Assembly, Front

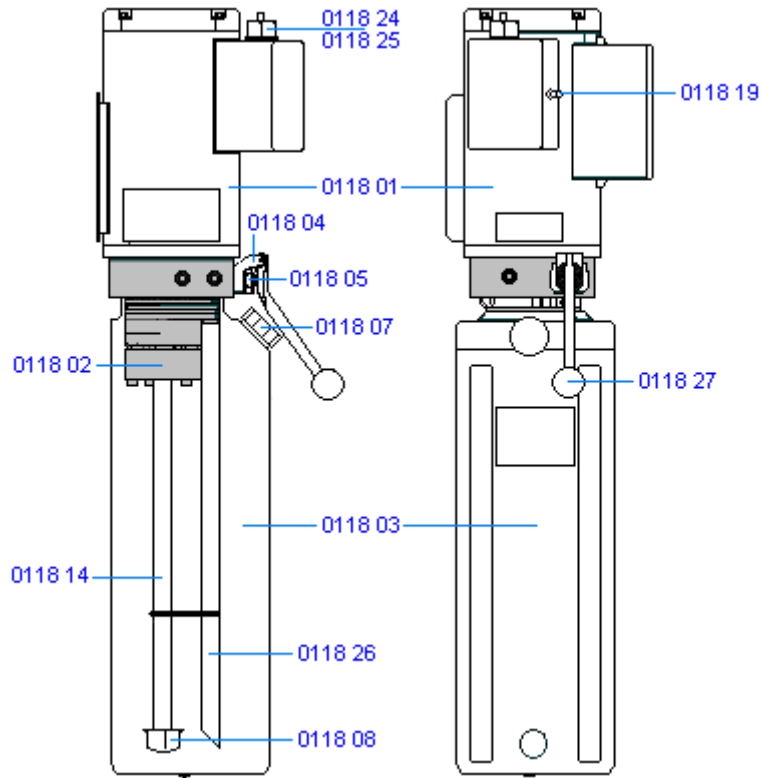
Sub-Structures



1102	Carriage Assembly
1103	Rub Block
1103K	Shim, Rub Block
1104	Cylinder
1105	Chain Roller
1106	Pin, Chain Roller
1108	Nut, Cable
1112	Cable
1114	C-Clip, Chain Roller
1115	Chain
1119	Cable Sheave (Pulley)

1700	Carriage Lock Assembly*
	*[1701 Latch Plate]
	*[1704 Release Cable]
	*[1705 Spring]
	*[1708 Set Bolt]
1902	Straight Fitting
1903	Elbow Fitting
1905	Short Hose
1907	Long Hose
1908	O-Ring Elbow Fitting

Power-Unit



0118 01	Motor Assembly	0118 24	Switch (Cut-Off)
0118 02	Pump Manifold	0118 25	Bracket Assembly
0118 03	Reservoir (Tank)	0118 26	Return Tube
0118 04	Lowering Handle & Block	0118 27	Knob
0118 05	Lowering Valve		
0118 07	Breather Cap		
0118 08	Filter Screen		
0118 14	Pick-Up Tube		
0118 19	Main Switch		



Eagle Global Series Warranty

Eagle Equipment warrants to the original retail purchaser of an Eagle Global Tire Changer or Wheel Balancer that it will replace without charge any part found under normal use, in the United States or Canada, to be defective in materials or workmanship, **for a period of one (1) year from date of purchase**. Warranty covers parts only; purchaser is responsible for any and all labor requirements.

Exclusions

This warranty will not apply to any machine:

1. Which has not been operated or maintained according to specifications
2. Which has been abused, misused altered or improperly maintained
3. Which has been improperly installed or assembled

Other limitations

This warranty does not cover:

1. Parts needed for normal maintenance
2. Wear parts, which include but are not limited to, speed-nuts, cones, mount heads, and inserts
3. On-site labor

Eagle Equipment reserves the right to make improvements and/or design changes to its equipment without any obligation to previously sold, assembled or fabricated equipment.

There is no other express warranty on the Eagle Global Series equipment and this warranty is exclusive of and in lieu of all other warranties, expressed or implied, including all warranties of merchantability and fitness for a particular purpose.

To the fullest extent allowed by law, Eagle Equipment shall not be liable for loss of use, inconvenience, lost time, commercial loss or other incidental or consequential damages

Some States do not allow exclusion or limitation of consequential damages or how long an implied warranty lasts, so that the above limitations and exclusions may not apply. This warranty gives you specific legal rights and you may have other rights, which may vary from State to State.